

**KEY**

	HW = HOT WATER
	HWR = HOT WATER RETURN
	MCW = MAINS COLD WATER
	CCW = CISTERN COLD WATER
	BW = BLENDED WATER

**EQUIPMENT**

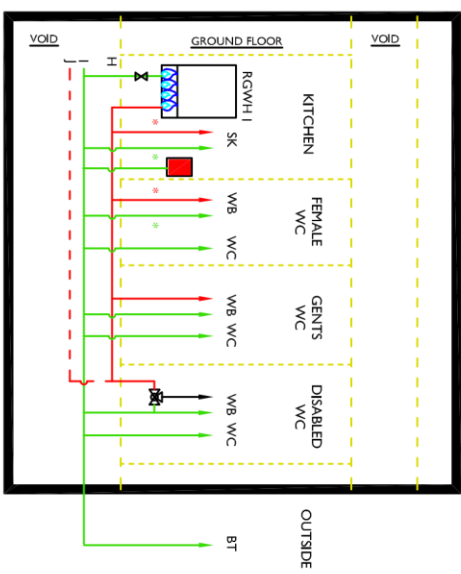
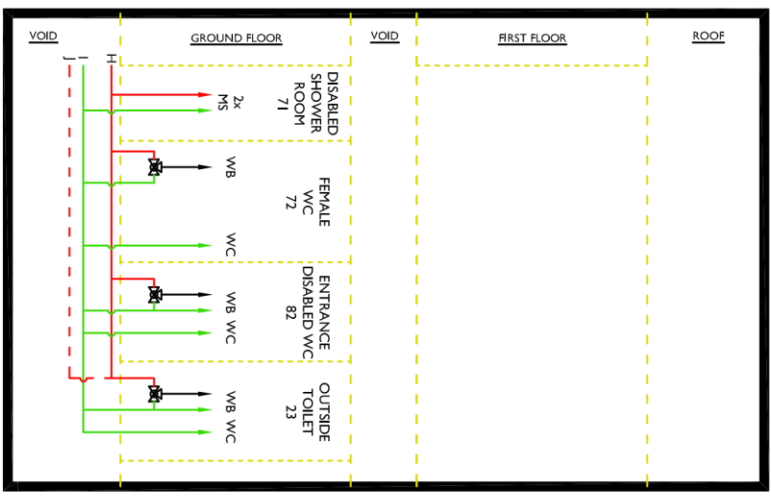
WC	TOILET
WB	WASH HAND BASIN
B	BATH
UC	URINAL CISTERN
ES	ELECTRIC SHOWER
MS	MIXER SHOWER
SK	SINK
BSK	BELFAST SINK
EEW	EMERGENCY EYE WASH
Ems	EMERGENCY SHOWER
DW	DISH WASHER
WM	WASHING MACHINE
SL	SLUICE
DM	DRINKS MACHINE
DWF	DRINKING WATER FOUNTAIN
CWF	CHILLED WF

**EQUIPMENT SYMBOLS**

* SENTINEL OUTLETS	
	1 LPHWSC LOW PRESSURE HOT WATER STORAGE CALORIFIER
	2 ESC ELECTRIC STORAGE CALORIFIER
	3 RGWH REHOT GAS WATER HEATER (COMB)
	4 REWH REHOT ELECTRIC WATER HEATER
	5 IHWH INSTANTANEOUS HOT WATER HEATER
	6 HB HYDROBOL
	7 LPHWSC LOW PRESSURE HOT WATER STORAGE CALORIFIER
	8 ESC ELECTRIC STORAGE CALORIFIER

**FITTINGS**

	BT BIB TAP
	HR HOSE REEL
	TEMPERATURE / PRESSURE GAUGE
	METER
	VALVE
	TNV TRIP NEUTRAL VALVE
	PRV PRESSURE RELIEF VALVE
	STRAINER
	PRESSURE VESSEL
	NON RETURN VALVE
	DOUBLE CHECK VALVE
	PUMP
	TUNDISH
	DEAD LEG
	FILTER
	DRAIN / SAMPLE POINT
	PIPE BREAK

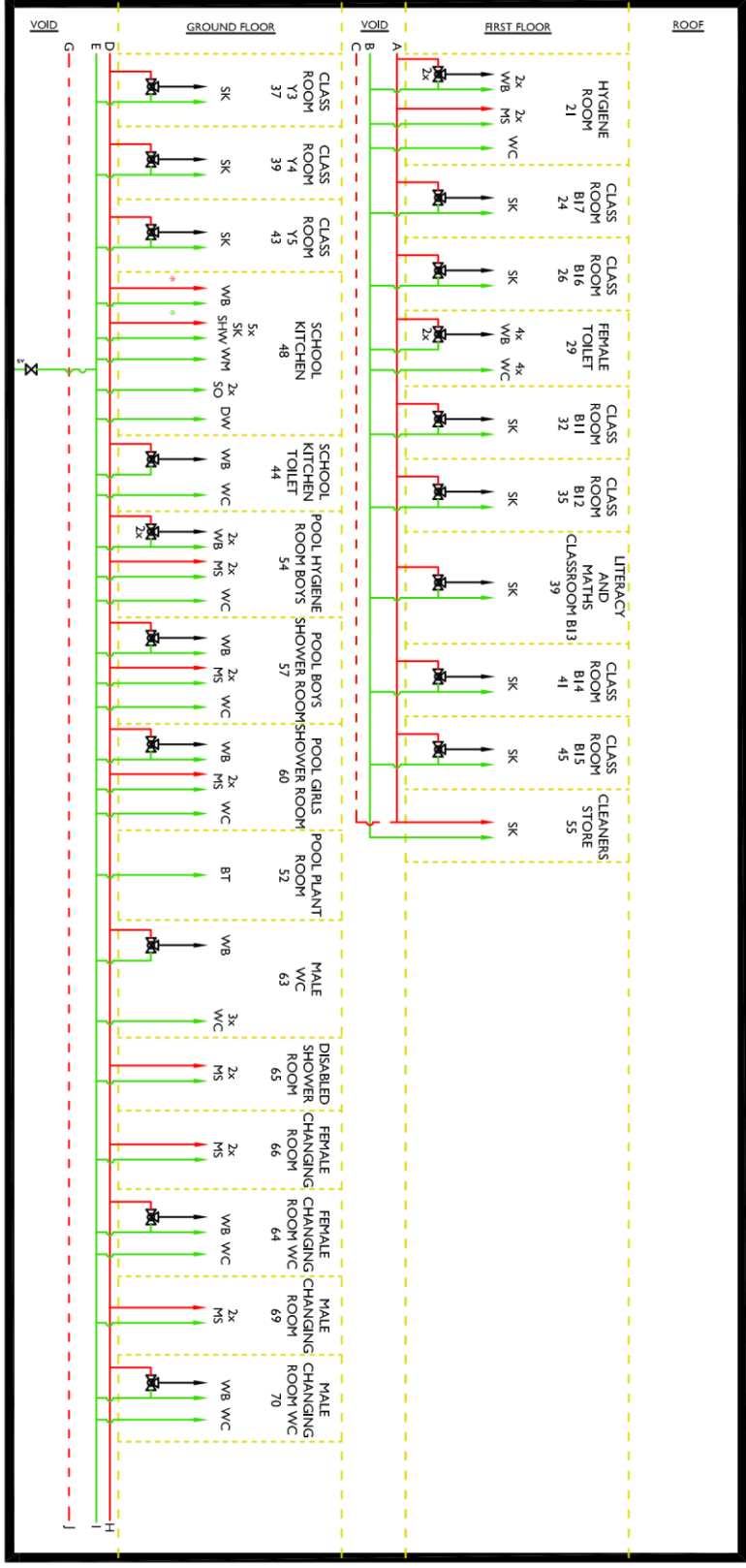


**PORTACABIN**

REV	DESCRIPTION	DATE	DRAWN	CHKD	APPD
1A		18/03/2019	PC	SD	

1104  
LCC  
- Westgate School

These drawings must not be copied or duplicated nor shown to or placed at the disposal of third persons without our written consent.



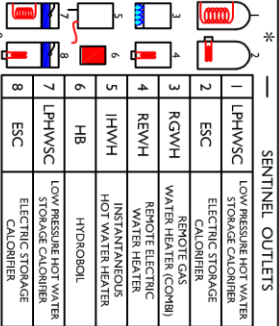
**KEY**

- HW = HOT WATER
- HR = HOT WATER RETURN
- MCW = MAINS COLD WATER
- CCW = CISTERN COLD WATER
- BW = BLENDED WATER

**EQUIPMENT**

- WC TOILET
- WB WASH HAND BASIN
- B BATH
- UC URINAL CISTERN
- ES ELECTRIC SHOWER
- MS MIXER SHOWER
- SK SINK
- BSK BELFAST SINK
- EEW EMERGENCY EYE WASH
- EMS EMERGENCY SHOWER
- DW DISH WASHER
- WM WASHING MACHINE
- SL SLUICE
- DM DRINKS MACHINE
- DWF DRINKING WATER FOUNTAIN
- CWF CHILLED WF

**EQUIPMENT SYMBOLS**



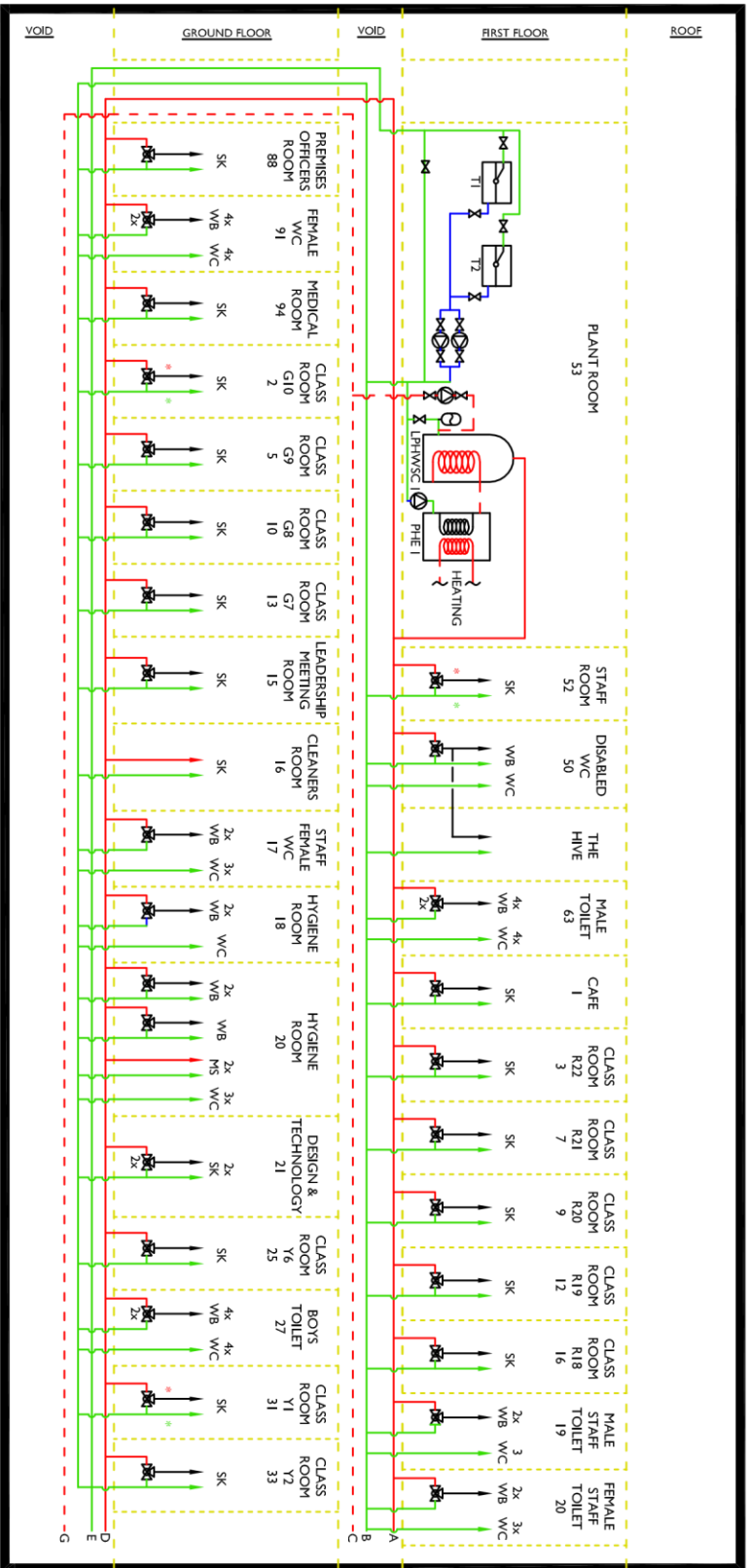
**FITTINGS**

- BT BIB TAP
- HR HOSE REEL
- TEMPERATURE / PRESSURE GAUGE
- METER
- VALVE
- TRV
- PRV
- PRESSURE RELIEF VALVE
- STRAINER
- PRESSURE VESSEL
- NON RETURN VALVE
- DOUBLE CHECK VALVE
- PUMP
- TUNDISH
- DEAD LEG
- FILTER
- DRAIN / SAMPLE POINT
- PIPE BREAK

REV	DESCRIPTION	DATE	DRAWN	CHKD	APPD
1A		18/03/2019	PC	SD	

LCC  
- Westgate School

These drawings must not be copied or duplicated nor shown to or placed at the disposal of third persons without our written consent.



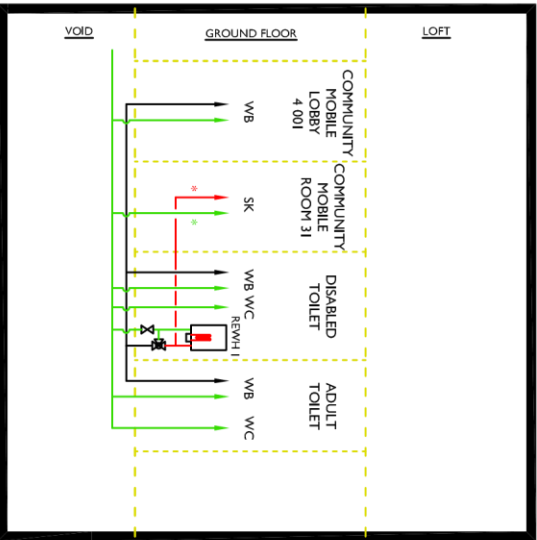
KEY	
<span style="color: red;">—</span>	HW = HOT WATER
<span style="color: blue;">—</span>	HW/R = HOT WATER RETURN
<span style="color: green;">—</span>	MCW = MAINS COLD WATER
<span style="color: purple;">—</span>	CCW = CISTERN COLD WATER
<span style="color: black;">—</span>	BW = BLENDED WATER
EQUIPMENT	
WC	TOILET
WB	WASH HAND BASIN
B	BATH
UC	URINAL CISTERN
ES	ELECTRIC SHOWER
MS	MIXER SHOWER
SK	SINK
BSK	BEFAST SINK
EEW	EMERGENCY EYE WASH
EWS	EMERGENCY SHOWER
DW	DISH WASHER
WM	WASHING MACHINE
SL	SLUCE
DM	DRINKS MACHINE
DWF	DRINKING WATER FOUNTAIN
CWF	CHILLED WF
EQUIPMENT SYMBOLS	
1	LOW PRESSURE HOT WATER STORAGE CALORIFIER
2	ELECTRIC STORAGE CALORIFIER
3	SPRUTE GAS WATER HEATER (COMB)
4	REMOTE ELECTRIC WATER HEATER
5	INSTANTANEOUS HOT WATER HEATER
6	HYDROBOL
7	LOW PRESSURE HOT WATER STORAGE CALORIFIER
8	ELECTRIC STORAGE CALORIFIER
* SENTINEL OUTLETS	
1	LPHWSC
2	ESC
3	RGWH
4	REWH
5	IHW
6	HB
7	LPHWSC
8	ESC
9 - T - TANK	
IMPRESSION HEATER	
FITTINGS	
BT	BIB TAP
HR	HOSE REEL
	TEMPERATURE / PRESSURE GAUGE
	METER
	VALVE
	TRV
	PRV
	PRESSURE RELIEF VALVE
	STRAINER
	PRESSURE VESSEL
	NON RETURN VALVE
	DOUBLE CHECK VALVE
	PUMP
	TUNDISH
	DEAD LEG
	FILTER
	DRAIN / SAMPLE POINT
	PIPE BREAK

1A		18/03/2019	PC	SD		
REV	DESCRIPTION	DATE	DRAWN	CHKD	APPD	

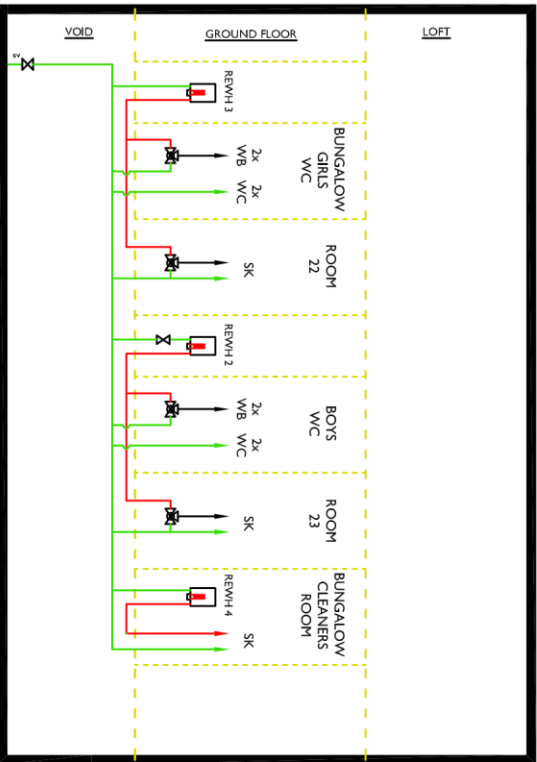
LCC  
- Westgate School

These drawings must not be copied or duplicated nor shown to or placed at the disposal of third persons without our written consent.

BLOCK 3



BLOCK 4 - BUNGALOW



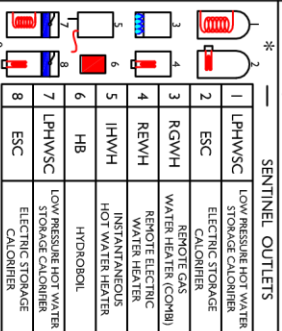
**KEY**

- HW = HOT WATER
- HR = HOT WATER RETURN
- MCW = MAINS COLD WATER
- CCW = CISTERN COLD WATER
- BW = BLENDED WATER

**EQUIPMENT**

- WC = TOILET
- WB = WASH HAND BASIN
- B = BATH
- UC = URINAL CISTERN
- ES = ELECTRIC SHOWER
- MS = MIXER SHOWER
- SK = SINK
- BSK = BELFAST SINK
- EEW = EMERGENCY EYE WASH
- Ems = EMERGENCY SHOWER
- DW = DISH WASHER
- WM = WASHING MACHINE
- SL = SLUICE
- DM = DRINKS MACHINE
- DWF = DRINKING WATER FOUNDRAIN
- CWF = CHILLED WF

**EQUIPMENT SYMBOLS**



**FITTINGS**

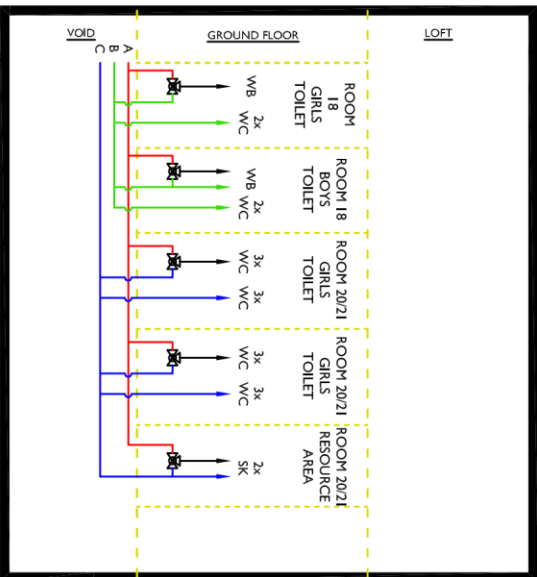
- BT = BIB TAP
- HR = HOSE REEL
- ⊕ = TEMPERATURE / PRESSURE GAUGE
- ⊖ = METER
- ⊗ = VALVE
- ⊘ = TPNV
- ⊙ = PRIV
- ⊚ = PRESSURE RELIEF VALVE
- ⊛ = STRAINER
- ⊜ = PRESSURE VESSEL
- ⊝ = NON RETURN VALVE
- ⊞ = DOUBLE CHECK VALVE
- ⊟ = PUMP
- ⊠ = TUNDISH
- ⊡ = DEAD LEG
- ⊢ = FILTER
- ⊣ = DRAIN / SAMPLE POINT
- ⊤ = PIPE BREAK

REV	DESCRIPTION	DATE	DRAWN	CHKD	APPD
1A		24/01/2019	EB	SD	

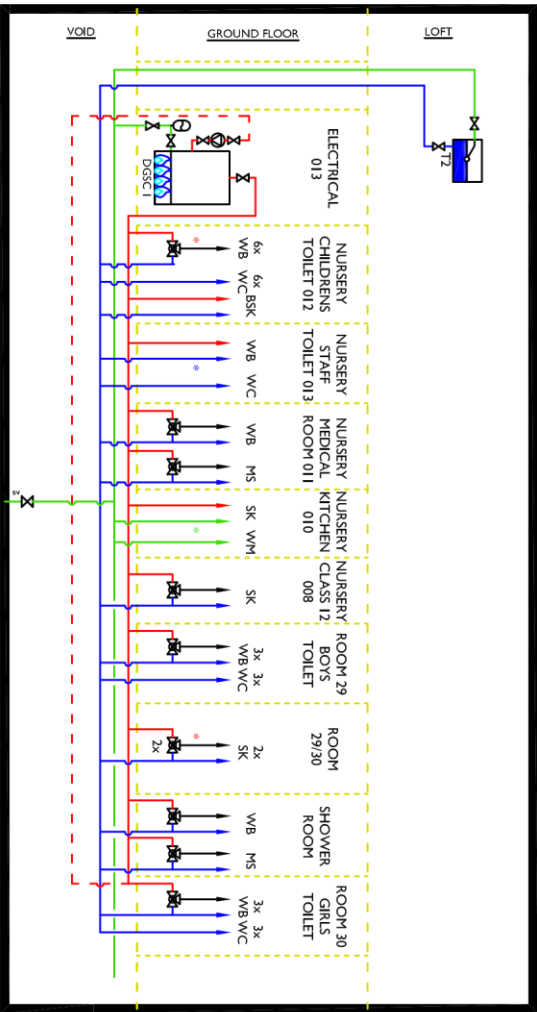
LEICESCC  
 - Uplands Infant School  
 - 1245099331

These drawings must not be copied or duplicated nor shown to or placed at the disposal of third persons without our written consent.

BLOCK 1



BLOCK 2



**KEY**

<span style="color: red;">—</span>	HW = HOT WATER
<span style="color: red;">—</span> <span style="color: red;">—</span> <span style="color: red;">—</span>	HWR = HOT WATER RETURN
<span style="color: green;">—</span> <span style="color: green;">—</span> <span style="color: green;">—</span>	MCW = MAINS COLD WATER
<span style="color: blue;">—</span> <span style="color: blue;">—</span> <span style="color: blue;">—</span>	CCW = CISTERN COLD WATER
<span style="color: black;">—</span> <span style="color: black;">—</span> <span style="color: black;">—</span>	BW = BLENDED WATER

**EQUIPMENT**

WC	TOILET
WB	WASH HAND BASIN
B	BATH
UC	URINAL CISTERN
ES	ELECTRIC SHOWER
MS	MIXER SHOWER
SK	SINK
BSK	BEFAST SINK
EEW	EMERGENCY EYE WASH
EWS	EMERGENCY SHOWER
DW	DISH WASHER
WM	WASHING MACHINE
SL	SLUCE
DM	DRINKS MACHINE
DWF	DRINKING WATER FOUNTAIN
CWF	CHILLED WF

**EQUIPMENT SYMBOLS**

\* SENTINEL OUTLETS

1	LPHWSC	LOW PRESSURE HOT WATER STORAGE CALORIFIER
2	ESC	ELECTRIC STORAGE CALORIFIER
3	RGWH	REHOT GAS WATER HEATER (COMB)
4	REWH	REHOT ELECTRIC WATER HEATER
5	IHW	INSTANTANEOUS HOT WATER HEATER
6	HB	HYDROBOL
7	LPHWSC	LOW PRESSURE HOT WATER STORAGE CALORIFIER
8	ESC	ELECTRIC STORAGE CALORIFIER

**FITTINGS**

9 - T - TANK

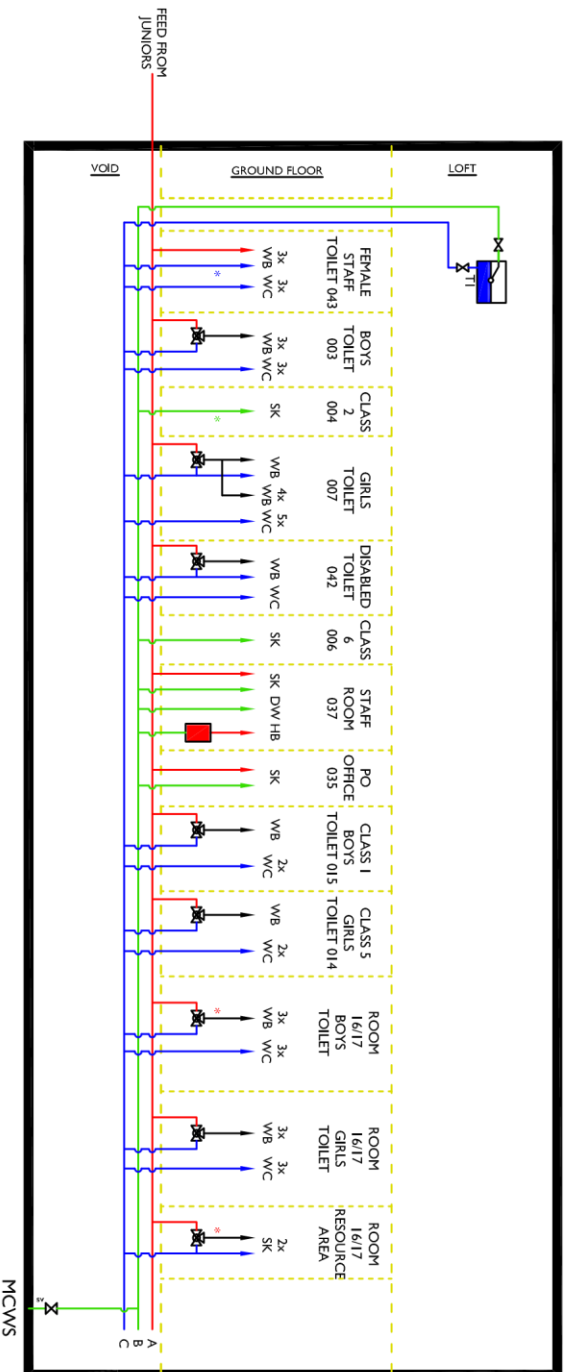
IMPRESSION HEATER

BT	BIB TAP
HR	HOSE REEL
	TEMPERATURE / PRESSURE GAUGE
	METER
	VALVE
	TPNV
	PRV
	PRESSURE RELIEF VALVE
	STRAINER
	PRESSURE VESSEL
	NON RETURN VALVE
	DOUBLE CHECK VALVE
	PUMP
	TUNDISH
	DEAD LEG
	FILTER
	DRAIN / SAMPLE POINT
	PIPE BREAK

REV	DESCRIPTION	DATE	DRAWN	CHKD	APPD
1A		24/01/2019	EB	SD	

LEICESCC  
- Uplands Infant School  
- 1245099331

These drawings must not be copied or duplicated nor shown to or placed at the disposal of third persons without our written consent.



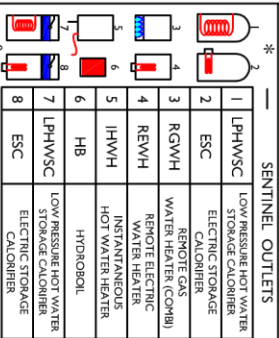
**KEY**

- HW = HOT WATER
- HWR = HOT WATER RETURN
- MCW = MAINS COLD WATER
- CCW = CISTERN COLD WATER
- BW = BLENDED WATER

**EQUIPMENT**

- WC TOILET
- WB WASH HAND BASIN
- B BATH
- UC URINAL CISTERN
- ES ELECTRIC SHOWER
- MS MIXER SHOWER
- SK SINK
- BSK BELFAST SINK
- EEW EMERGENCY EYE WASH
- Ems EMERGENCY SHOWER
- DW DISH WASHER
- WM WASHING MACHINE
- SL SLUCE
- DM DRINKS MACHINE
- DWF DRINKING WATER FOUNTAIN
- CWF CHILLED WF

**EQUIPMENT SYMBOLS**



**FITTINGS**

- BT BIB TAP
- HR HOSE REEL
- TEMPERATURE / PRESSURE GAUGE
- METER
- VALVE
- TWV
- PRV
- PRESSURE RELIEF VALVE
- STRAINER
- PRESSURE VESSEL
- NON RETURN VALVE
- DOUBLE CHECK VALVE
- PUMP
- TUNDISH
- DEAD LEG
- FILTER
- DRAIN / SAMPLE POINT
- PIPE BREAK

REV	DESCRIPTION	DATE	DRAWN	CHKD	APPD
1A		24/01/2019	EB	SD	

LEICESCC  
 - Uplands Infant School  
 - 1245099331

These drawings must not be copied or duplicated nor shown to or placed at the disposal of third persons without our written consent.

**KEY**

HW	= HOT WATER
HWR	= HOT WATER RETURN
MCW	= MAINS COLD WATER
CCW	= CISTERN COLD WATER
BW	= BLENDED WATER

**EQUIPMENT**

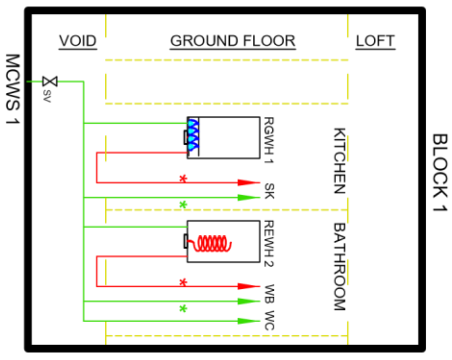
WC	TOILET
WB	WASH HAND BASIN
B	BATH
UCT	URINAL CISTERN
ELS	ELECTRIC SHOWER
MXS	MIXER SHOWER
SK	SINK
BLS	BELFAST SINK
ZEW	EMERGENCY EYE WASH
ZS	EMERGENCY SHOWER
DW	DISH WASHER
WM	WASHING MACHINE
S	SLUICE
DRM	DRINKS MACHINE
DWF	DRINKING WATER FOUNTAIN
CWF	CHILLED WF
SO	STEAM OVEN
PU	PRESSURIZED UNIT

**EQUIPMENT SYMBOLS**

1	LPHWSC	LOW PRESSURE HOT WATER STORAGE ELECTRIC STORAGE CALORIFIER
2	ESC	ESC
3	RGWH	REMOTE GAS WATER HEATER (COMBI)
4	REWH	REMOTE ELECTRIC WATER HEATER
5	IHW	INSTANTANEOUS HOT WATER HEATER
6	HB	HYDROBOL
7	LPHWSC (T)	LOW PRESSURE HOT WATER STORAGE CALORIFIER (T)
8	ESC (T)	ESC (T)
9	T	Tank
10	DGSC	DIRECT FIRED GAS HOT WATER CYLINDER
11	HMBV	HOT WATER BUFFER VESSEL
12	SHSV	SOLAR PRE-HEAT STORAGE VESSEL
13	PHE	PLATE HEAT EXCHANGER
14	IMH	IMMERSION HEATER
15	SO	SENTINEL OUTLETS

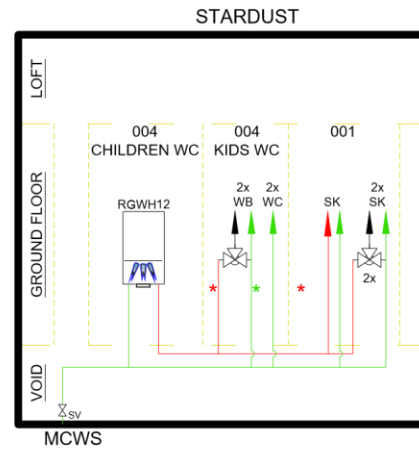
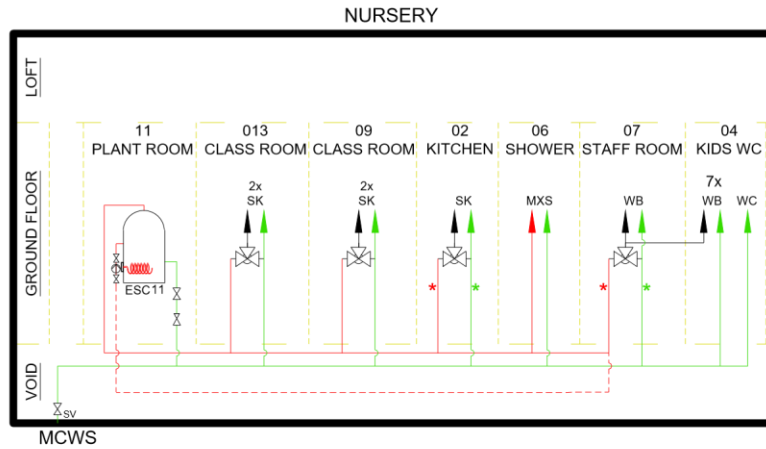
**FITTINGS**

BT	BIB TAP	PRV
HR	HOSE REEL	PRESSURE RELIEF VALVE
M	METER	TEMPERATURE GAUGE
V	VALVE	PRESSURE GAUGE
TMV	TMV	PRESSURE VESSEL
F	STRAINER	FILTER
P	PUMP	NON RETURN VALVE
T	TUNDISH	DOUBLE CHECK VALVE
D	DEAD LEG	DRAIN / SAMPLE POINT
IB	PIPE BREAK	ISOLATED VALVE



REV	DATE	DESCRIPTION	DRAWN	CHECKED
0	04-09-2019	INITIAL RELEASE	AKANKSHA	AKASH

STAR OFFICE - MARWOOD ROAD  
10, WO - 175368



KEY	
	HW = HOT WATER
	HWR = HOT WATER RETURN
	MCW = MAINS COLD WATER
	CCW = CISTERN COLD WATER
	BW = BLENDED WATER

EQUIPMENT	
WC	TOILET
WB	WASH HAND BASIN
B	BATH
UCT	URINAL CISTERN
ELS	ELECTRIC SHOWER
MXS	MIXER SHOWER
SK	SINK
BLS	BELFAST SINK
ZEW	EMERGENCY EYE WASH
ZS	EMERGENCY SHOWER
DW	DISH WASHER
WM	WASHING MACHINE
S	SLUICE
DRM	DRINKS MACHINE
DWF	DRINKING WATER FOUNTAIN
CWF	CHILLED WF
SO	STEAM OVEN
PU	PRESSURIZED UNIT

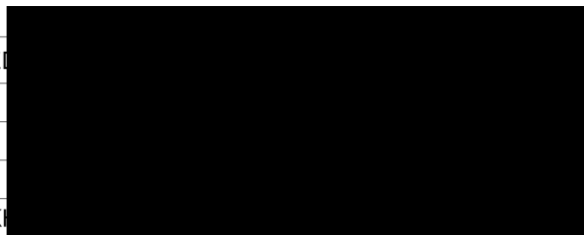
  

EQUIPMENT SYMBOLS	
	1 LPHWSC LOW PRESSURE HOT WATER STORAGE CALORIFIER
	2 ESC ELECTRIC STORAGE CALORIFIER
	3 RGWH REMOTE GAS WATER HEATER (COMBI)
	4 REWH REMOTE ELECTRIC WATER HEATER
	5 IHWH INSTANTANEOUS HOT WATER HEATER
	6 HB HYDROBOIL
	7 LPHWSC (T) LOW PRESSURE HOT WATER STORAGE CALORIFIER (T)
	8 ESC (T) ELECTRIC STORAGE CALORIFIER (T)
	9 T Tank
	10 DGSC DIRECT FIRED GAS HOT WATER CYLINDER
	11 HWBV HOT WATER BUFFER VESSEL
	12 SHSV SOLAR PRE-HEAT STORAGE VESSEL
	13 PHE PLATE HEAT EXCHANGER
	IMMERSION HEATER
	* SENTINEL OUTLETS

FITTINGS			
	BT BIB TAP		PRV
	HR HOSE REEL		PRESSURE RELIEF VALVE
	M METER		TEMPERATURE GAUGE
	V VALVE		PRESSURE GAUGE
	TMV		PRESSURE VESSEL
	S STRAINER		FILTER
	P PUMP		NON RETURN VALVE
	T TUNDISH		DOUBLE CHECK VALVE
	DL DEAD LEG		DRAIN / SAMPLE POINT
	PB PIPE BREAK		ISOLATED VALVE

REV	DATE	DESCRIPTION	DRAWN	CHECKED
0	21-10-2019	INITIAL RELEASE	ZUBAIR	SHARUK



ICEESCC, SPINNEY HILL PRIMARY SCHOOL, WO - 186988

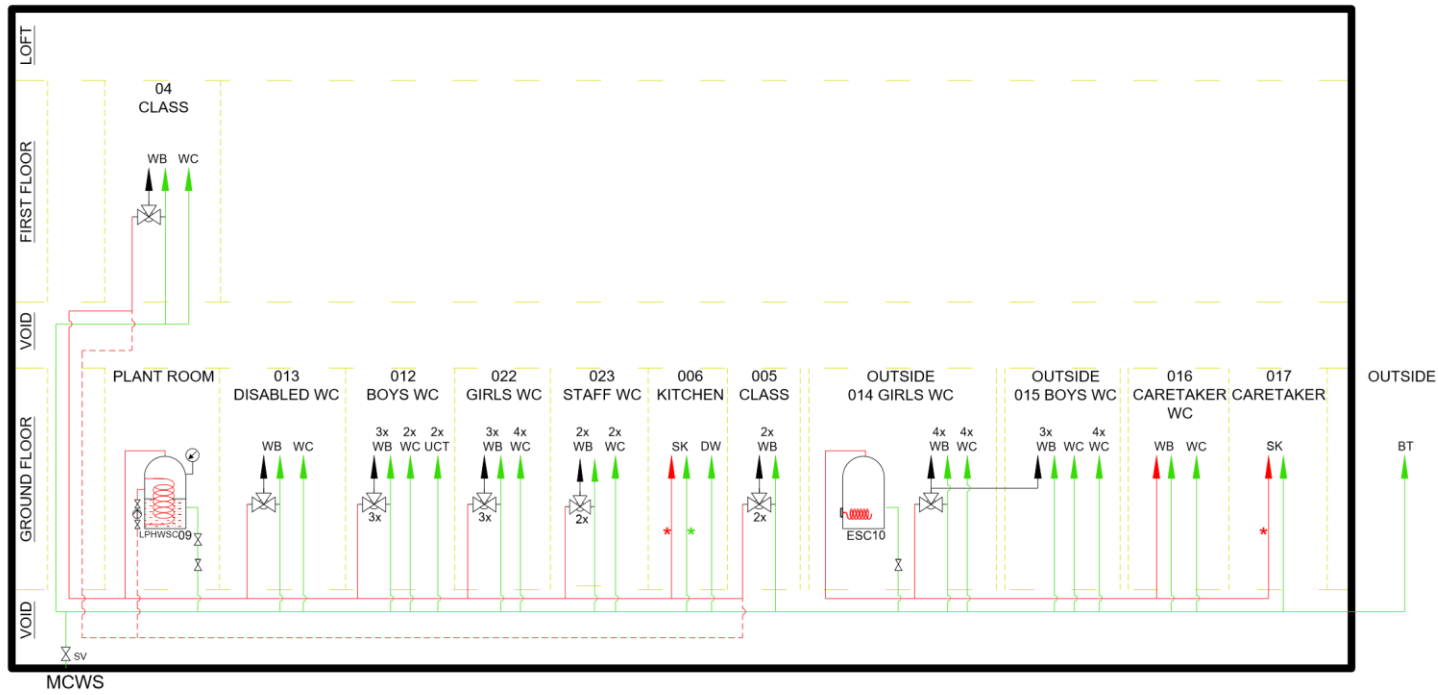
Scale: NTS

Size: A4

Sheet: 4 of 4



COMMUNITY BLOCK



KEY	
<span style="color: red;">█</span>	HW = HOT WATER
<span style="color: red;">▬</span>	HWR = HOT WATER RETURN
<span style="color: green;">█</span>	MCW = MAINS COLD WATER
<span style="color: blue;">█</span>	CCW = CISTERN COLD WATER
<span style="color: black;">█</span>	BW = BLENDED WATER

EQUIPMENT	
WC	TOILET
WB	WASH HAND BASIN
B	BATH
UCT	URINAL CISTERN
ELS	ELECTRIC SHOWER
MXS	MIXER SHOWER
SK	SINK
BLS	BELFAST SINK
ZEW	EMERGENCY EYE WASH
ZS	EMERGENCY SHOWER
DW	DISH WASHER
WM	WASHING MACHINE
S	SLUICE
DRM	DRINKS MACHINE
DWF	DRINKING WATER FOUNTAIN
CWF	CHILLED WF
SO	STEAM OVEN
PU	PRESSURIZED UNIT

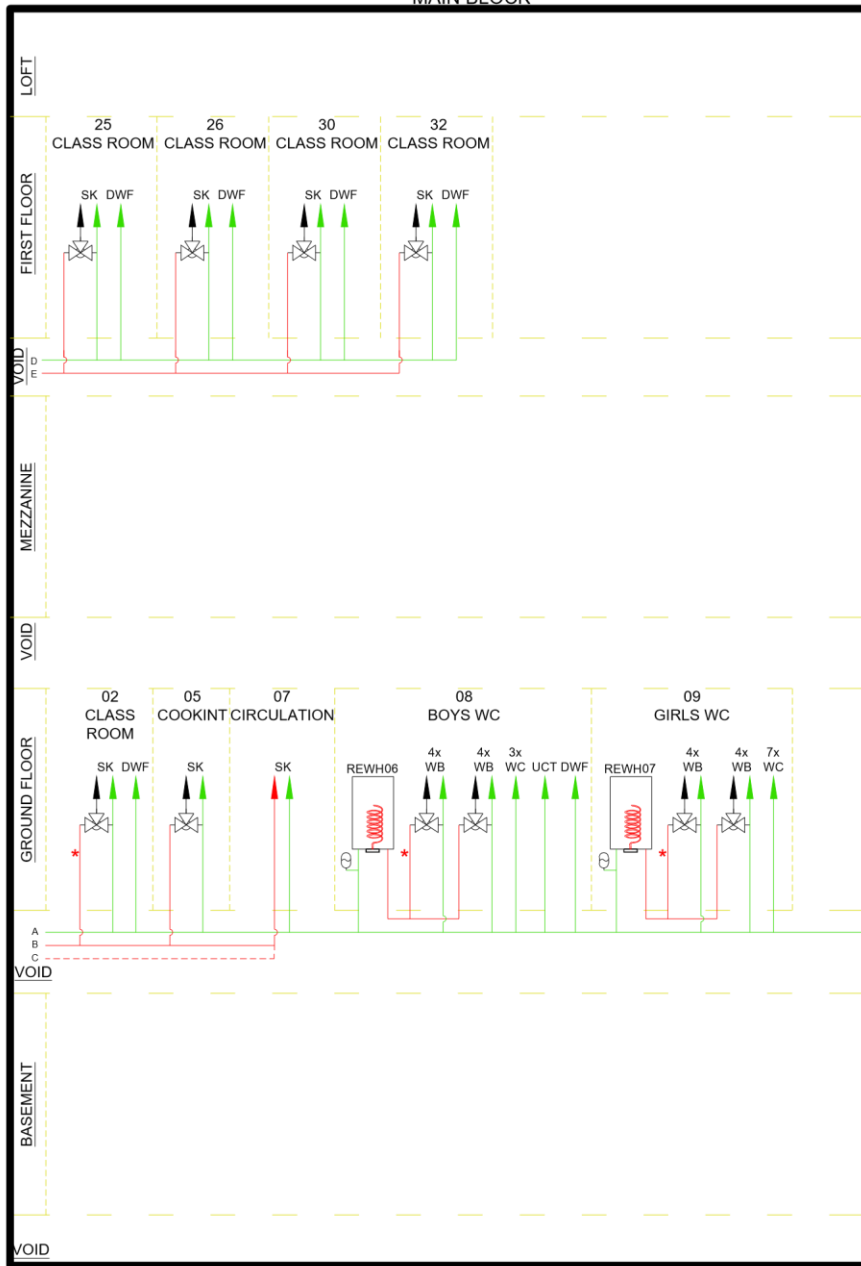
EQUIPMENT SYMBOLS	
	1 LPHWSC LOW PRESSURE HOT WATER STORAGE CALORIFIER
	2 ESC ELECTRIC STORAGE CALORIFIER
	3 RGWH REMOTE GAS WATER HEATER (COMBI)
	4 REWH REMOTE ELECTRIC WATER HEATER
	5 IHWH INSTANTANEOUS HOT WATER HEATER
	6 HB HYDROBOIL
	7 LPHWSC (T) LOW PRESSURE HOT WATER STORAGE CALORIFIER (T)
	8 ESC (T) ELECTRIC STORAGE CALORIFIER (T)
	9 T Tank
	10 DGSC DIRECT FIRED GAS HOT WATER CYLINDER
	11 HWBV HOT WATER BUFFER VESSEL
	12 SHSV SOLAR PRE-HEAT STORAGE VESSEL
	13 PHE PLATE HEAT EXCHANGER
	— IMMERSION HEATER
	* — SENTINEL OUTLETS

FITTINGS			
	BT BIB TAP		PRV
	HR HOSE REEL		PRESSURE RELIEF VALVE
	M METER		TEMPERATURE GAUGE
	V VALVE		PRESSURE GAUGE
	TMV		PRESSURE VESSEL
	S STRAINER		FILTER
	P PUMP		NON RETURN VALVE
	T TUNDISH		DOUBLE CHECK VALVE
	DL DEAD LEG		DRAIN / SAMPLE POINT
	PB PIPE BREAK		ISOLATED VALVE

REV	DATE	DESCRIPTION	DRAWN	CHECKED
0	21-10-2019	INITIAL RELEASE	ZUBAIR	SHARUKH

LEICESCC, SPINNEY HILL PRIMARY SCHOOL, WO - 186988

MAIN BLOCK



KEY	
<span style="color: red;">█</span>	HW = HOT WATER
<span style="color: red;">▬</span>	HWR = HOT WATER RETURN
<span style="color: green;">█</span>	MCW = MAINS COLD WATER
<span style="color: blue;">█</span>	CCW = CISTERN COLD WATER
<span style="color: black;">█</span>	BW = BLENDED WATER

EQUIPMENT	
WC	TOILET
WB	WASH HAND BASIN
B	BATH
UCT	URINAL CISTERN
ELS	ELECTRIC SHOWER
MXS	MIXER SHOWER
SK	SINK
BLS	BELFAST SINK
ZEW	EMERGENCY EYE WASH
ZS	EMERGENCY SHOWER
DW	DISH WASHER
WM	WASHING MACHINE
S	SLUICE
DRM	DRINKS MACHINE
DWF	DRINKING WATER FOUNTAIN
CWF	CHILLED WF
SO	STEAM OVEN
PU	PRESSURIZED UNIT

EQUIPMENT SYMBOLS	
	1 LPHWSC LOW PRESSURE HOT WATER STORAGE CALORIFIER
	2 ESC ELECTRIC STORAGE CALORIFIER
	3 RGWH REMOTE GAS WATER HEATER (COMBI)
	4 REWH REMOTE ELECTRIC WATER HEATER
	5 IHWH INSTANTANEOUS HOT WATER HEATER
	6 HB HYDROBOIL
	7 LPHWSC (T) LOW PRESSURE HOT WATER STORAGE CALORIFIER (T)
	8 ESC (T) ELECTRIC STORAGE CALORIFIER (T)
	9 T Tank
	10 DGSC DIRECT FIRED GAS HOT WATER CYLINDER
	11 HWBV HOT WATER BUFFER VESSEL
	12 SHSV SOLAR PRE-HEAT STORAGE VESSEL
	13 PHE PLATE HEAT EXCHANGER
	IMMERSION HEATER
	SENTINEL OUTLETS

FITTINGS			
	BT BIB TAP		PRV
	HR HOSE REEL		PRESSURE RELIEF VALVE
	M METER		TEMPERATURE GAUGE
	V VALVE		PRESSURE GAUGE
	TMV		PRESSURE VESSEL
	S STRAINER		FILTER
	P PUMP		NON RETURN VALVE
	T TUNDISH		DOUBLE CHECK VALVE
	DL DEAD LEG		DRAIN / SAMPLE POINT
	PB PIPE BREAK		ISOLATED VALVE

REV	DATE	DESCRIPTION	DRAWN	CHECKED
0	21-10-2019	INITIAL RELEASE	ZUBAIR	SHARUKH

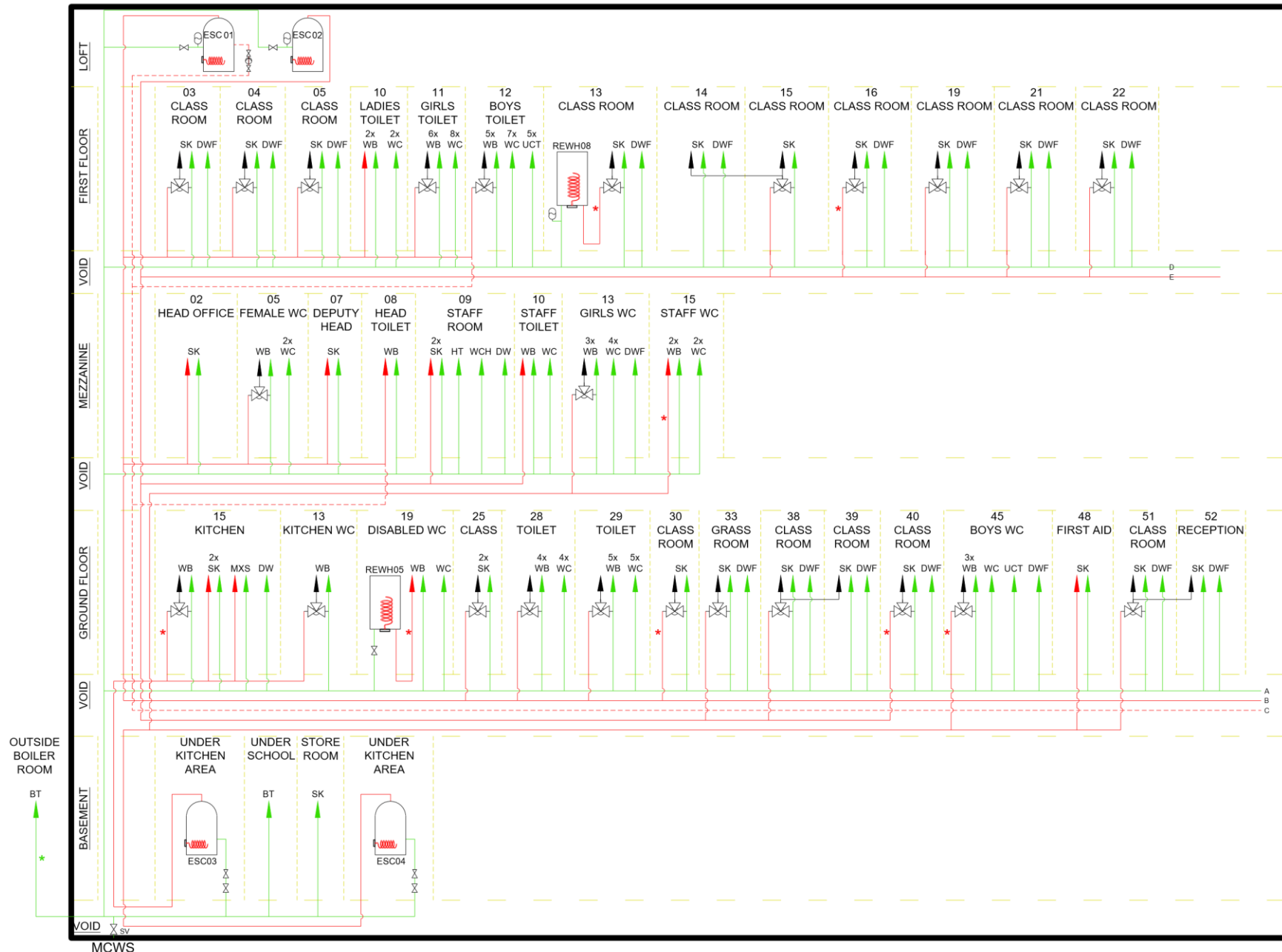
LEICESCC, SPINNEY HILL PRIMARY SCHOOL, WO - 186988

Scale: NTS

Size: A4

Sheet: 2 of 4

MAIN BLOCK



KEY	
<span style="color: red;">—</span>	HW = HOT WATER
<span style="color: green;">—</span>	HWR = HOT WATER RETURN
<span style="color: blue;">—</span>	MCW = MAINS COLD WATER
<span style="color: black;">—</span>	CCW = CISTERN COLD WATER
<span style="color: black;">—</span>	BW = BLENDED WATER

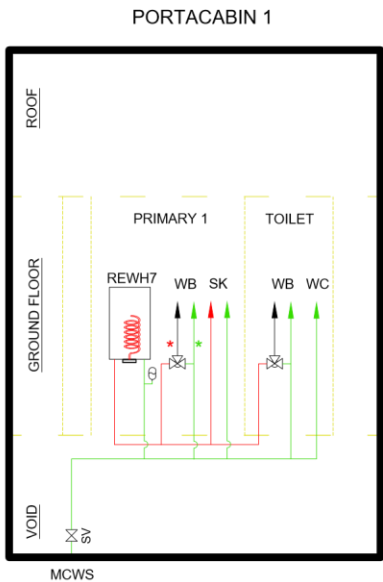
EQUIPMENT	
WC	TOILET
WB	WASH HAND BASIN
B	BATH
UCT	URINAL CISTERN
ELS	ELECTRIC SHOWER
MXS	MIXER SHOWER
SK	SINK
BLS	BELFAST SINK
ZEW	EMERGENCY EYE WASH
ZS	EMERGENCY SHOWER
DW	DISH WASHER
WM	WASHING MACHINE
S	SLUICE
DRM	DRINKS MACHINE
DWF	DRINKING WATER FOUNTAIN
CWF	CHILLED WF
SO	STEAM OVEN
PU	PRESSURIZED UNIT

EQUIPMENT SYMBOLS	
	1 LPHWSC LOW PRESSURE HOT WATER STORAGE CALORIFIER
	2 ESC ELECTRIC STORAGE CALORIFIER
	3 RGWH REMOTE GAS WATER HEATER (COMBI)
	4 REWH REMOTE ELECTRIC WATER HEATER
	5 IHWH INSTANTANEOUS HOT WATER HEATER
	6 HB HYDROBOIL
	7 LPHWSC (T) LOW PRESSURE HOT WATER STORAGE CALORIFIER (T)
	8 ESC (T) ELECTRIC STORAGE CALORIFIER (T)
	9 T Tank
	10 DGSC DIRECT FIRED GAS HOT WATER CYLINDER
	11 HWBV HOT WATER BUFFER VESSEL
	12 SHSV SOLAR PRE-HEAT STORAGE VESSEL
	13 PHE PLATE HEAT EXCHANGER
	— IMMERSION HEATER
	* — SENTINEL OUTLETS

FITTINGS	
	BT BIB TAP
	HR HOISE REEL
	(M) METER
	VALVE
	TMV PRESSURE VESSEL
	STRAINER
	PUMP
	TUNDISH
	DL DEAD LEG
	PB PIPE BREAK
	PRV PRESSURE RELIEF VALVE
	TG TEMPERATURE GAUGE
	PG PRESSURE GAUGE
	F FILTER
	NRV NON RETURN VALVE
	DCV DOUBLE CHECK VALVE
	D/S DRAIN / SAMPLE POINT
	IV ISOLATED VALVE

REV	DATE	DESCRIPTION	DRAWN	CHECKED
0	21-10-2019	INITIAL RELEASE	ZUBAIR	SHARUKH

LEICESCC, SPINNEY HILL PRIMARY SCHOOL, WO - 186988



KEY	
<span style="color: red;">█</span>	HW = HOT WATER
<span style="color: red;">▬</span>	HWR = HOT WATER RETURN
<span style="color: green;">█</span>	MCW = MAINS COLD WATER
<span style="color: blue;">█</span>	CCW = CISTERN COLD WATER
<span style="color: black;">█</span>	BW = BLENDED WATER

EQUIPMENT	
WC	TOILET
WB	WASH HAND BASIN
B	BATH
UCT	URINAL CISTERN
ELS	ELECTRIC SHOWER
MXS	MIXER SHOWER
SK	SINK
BLS	BELFAST SINK
ZEW	EMERGENCY EYE WASH
ZS	EMERGENCY SHOWER
DW	DISH WASHER
WM	WASHING MACHINE
S	SLUICE
DRM	DRINKS MACHINE
DWF	DRINKING WATER FOUNTAIN
CWF	CHILLED WF
SO	STEAM OVEN
PU	PRESSURIZED UNIT

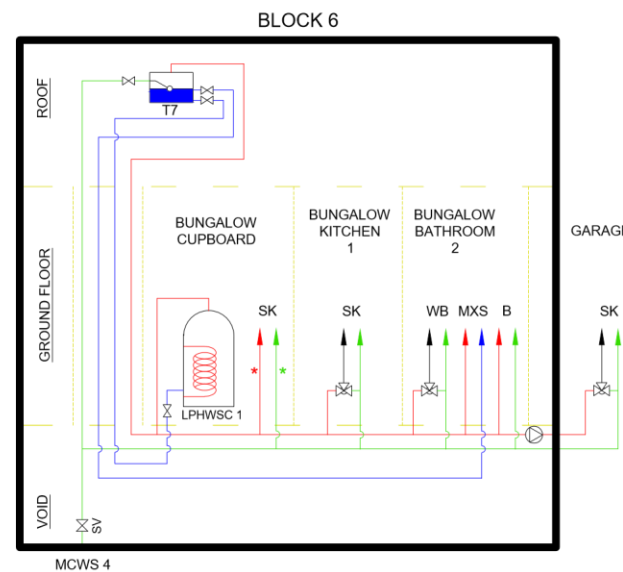
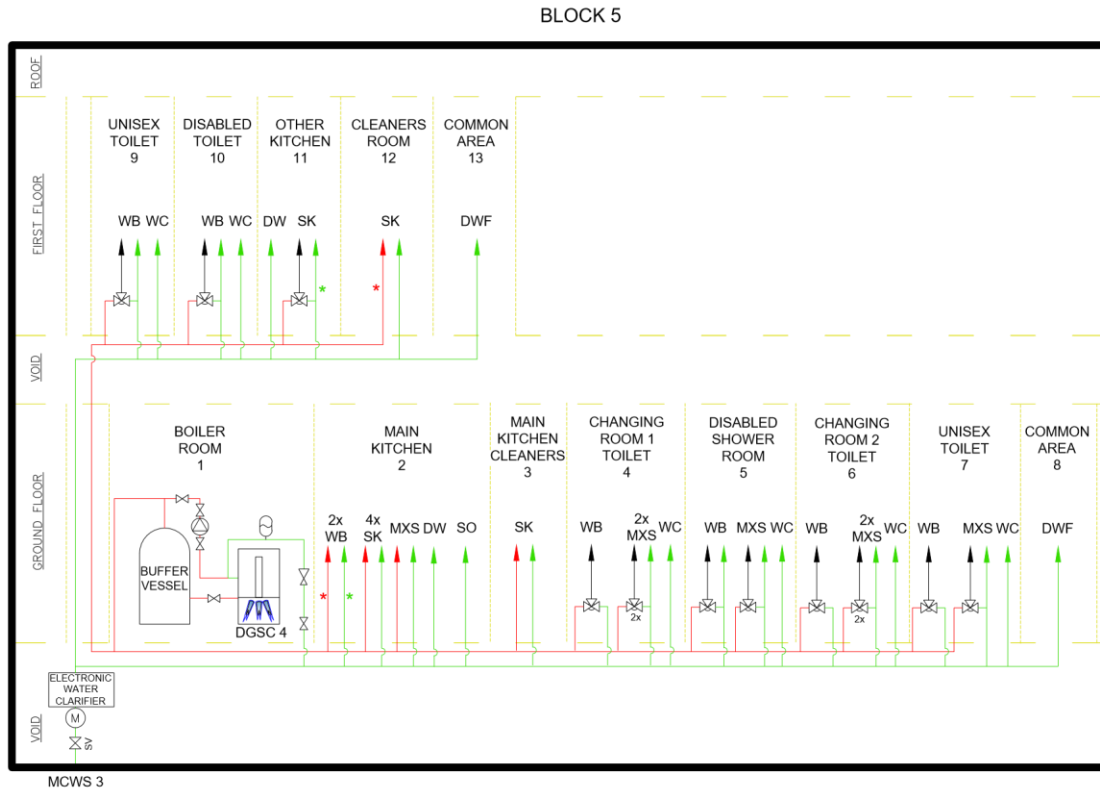
EQUIPMENT SYMBOLS	
	1 LPHWSC LOW PRESSURE HOT WATER STORAGE CALORIFIER
	2 ESC ELECTRIC STORAGE CALORIFIER
	3 RGWH REMOTE GAS WATER HEATER (COMBI)
	4 REWH REMOTE ELECTRIC WATER HEATER
	5 IHWH INSTANTANEOUS HOT WATER HEATER
	6 HB HYDROBOIL
	7 LPHWSC (T) LOW PRESSURE HOT WATER STORAGE CALORIFIER (T)
	8 ESC (T) ELECTRIC STORAGE CALORIFIER (T)
	9 Tank
	10 DGSC DIRECT FIRED GAS HOT WATER CYLINDER
	11 HWBV HOT WATER BUFFER VESSEL
	12 SHSV SOLAR PRE-HEAT STORAGE VESSEL
	13 PHE PLATE HEAT EXCHANGER
	IMMERSION HEATER
	* SENTINEL OUTLETS

FITTINGS			
	BT BIB TAP		PRV
	HR HOSE REEL		PRESSURE RELIEF VALVE
	M METER		TEMPERATURE GAUGE
	VALVE		PRESSURE GAUGE
	TMV		PRESSURE VESSEL
	STRAINER		FILTER
	PUMP		NON RETURN VALVE
	TUNDISH		DOUBLE CHECK VALVE
	DEAD LEG		DRAIN / SAMPLE POINT
	PIPE BREAK		ISOLATED VALVE

REV	DATE	DESCRIPTION	DRAWN	CHECK
0	11-06-2019	INITIAL RELEASE	SHARUKH	AG

LEICESCC, MILLGATE SCHOOL, WO - 154573



KEY	
<span style="color: red;">█</span>	HW = HOT WATER
<span style="color: red;">▬</span>	HWR = HOT WATER RETURN
<span style="color: green;">█</span>	MCW = MAINS COLD WATER
<span style="color: blue;">█</span>	CCW = CISTERN COLD WATER
<span style="color: black;">█</span>	BW = BLENDED WATER

EQUIPMENT	
WC	TOILET
WB	WASH HAND BASIN
B	BATH
UCT	URINAL CISTERN
ELS	ELECTRIC SHOWER
MXS	MIXER SHOWER
SK	SINK
BLS	BELFAST SINK
ZEW	EMERGENCY EYE WASH
ZS	EMERGENCY SHOWER
DW	DISH WASHER
WM	WASHING MACHINE
S	SLUICE
DRM	DRINKS MACHINE
DWF	DRINKING WATER FOUNTAIN
CWF	CHILLED WF
SO	STEAM OVEN
PU	PRESSURIZED UNIT

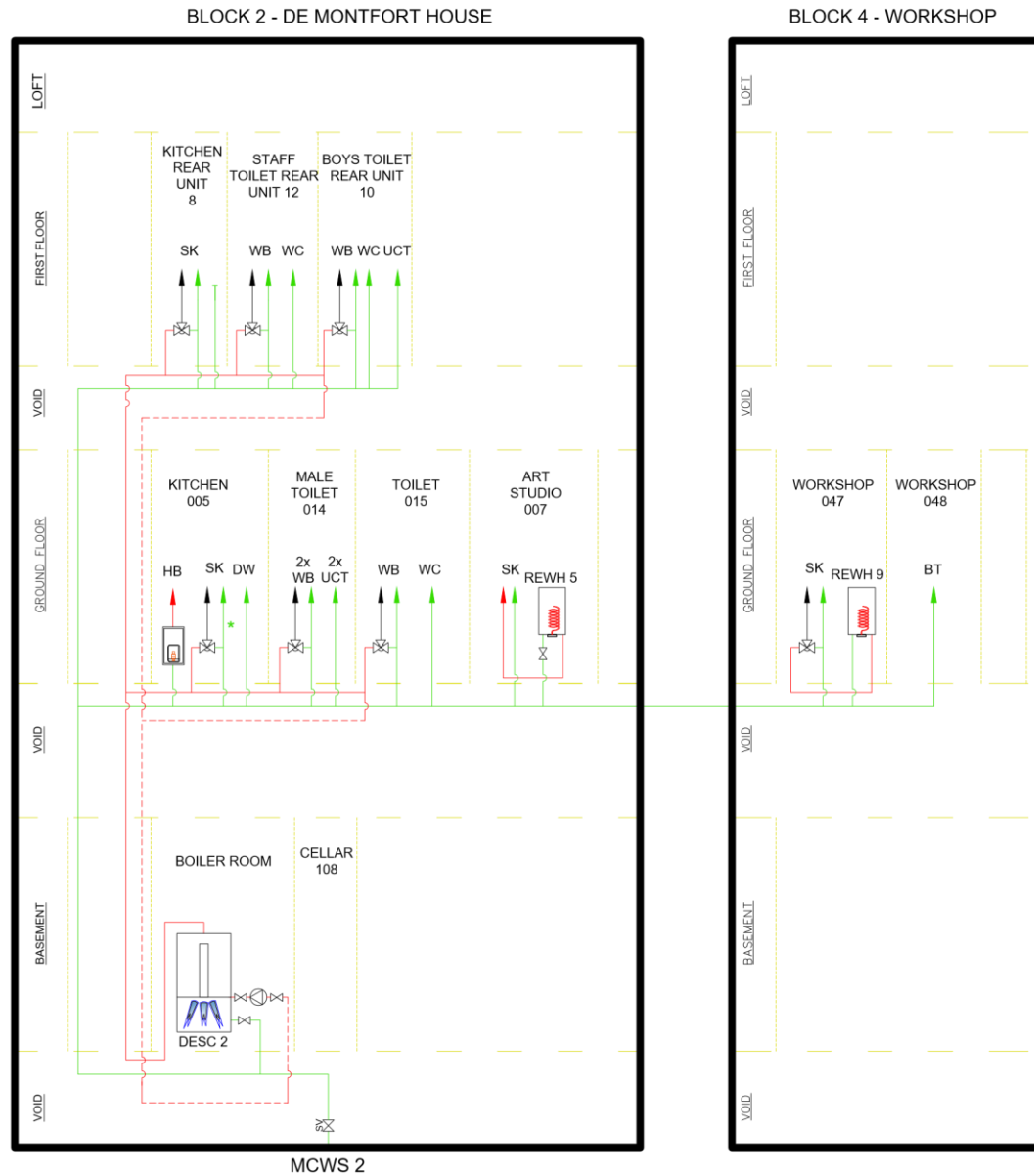
EQUIPMENT SYMBOLS	
	1 LPHWSC LOW PRESSURE HOT WATER STORAGE CALORIFIER
	2 ESC ELECTRIC STORAGE CALORIFIER
	3 RGWH REMOTE GAS WATER HEATER (COMBI)
	4 REWH REMOTE ELECTRIC WATER HEATER
	5 IHWH INSTANTANEOUS HOT WATER HEATER
	6 HB HYDROBOIL
	7 LPHWSC (T) LOW PRESSURE HOT WATER STORAGE CALORIFIER (T)
	8 ESC (T) ELECTRIC STORAGE CALORIFIER (T)
	9 T Tank
	10 DGSC DIRECT FIRED GAS HOT WATER CYLINDER
	11 HWBV HOT WATER BUFFER VESSEL
	12 SHSV SOLAR PRE-HEAT STORAGE VESSEL
	13 PHE PLATE HEAT EXCHANGER
	— IMMERSION HEATER
	* — SENTINEL OUTLETS

FITTINGS			
	BT BIB TAP		PRV
	HR HOSE REEL		PRESSURE RELIEF VALVE
	M METER		TEMPERATURE GAUGE
	V VALVE		PRESSURE GAUGE
	TMV		PRESSURE VESSEL
	S STRAINER		FILTER
	P PUMP		NON RETURN VALVE
	TV TUNDISH		DOUBLE CHECK VALVE
	DL DEAD LEG		DRAIN / SAMPLE POINT
	PB PIPE BREAK		ISOLATED VALVE

REV	DATE	DESCRIPTION	DRAWN	CHECKED
0	11-06-2019	INITIAL RELEASE	SHARUKH	AG

LEICESCC, MILLGATE SCHOOL, WO - 154573



KEY	
<span style="color: red;">█</span>	HW = HOT WATER
<span style="color: red;">▬</span>	HWR = HOT WATER RETURN
<span style="color: green;">█</span>	MCW = MAINS COLD WATER
<span style="color: blue;">█</span>	CCW = CISTERN COLD WATER
<span style="color: black;">█</span>	BW = BLENDED WATER

EQUIPMENT	
WC	TOILET
WB	WASH HAND BASIN
B	BATH
UCT	URINAL CISTERN
ELS	ELECTRIC SHOWER
MXS	MIXER SHOWER
SK	SINK
BLS	BELFAST SINK
ZEW	EMERGENCY EYE WASH
ZS	EMERGENCY SHOWER
DW	DISH WASHER
WM	WASHING MACHINE
S	SLUICE
DRM	DRINKS MACHINE
DWF	DRINKING WATER FOUNTAIN
CWF	CHILLED WF
SO	STEAM OVEN
PU	PRESSURIZED UNIT

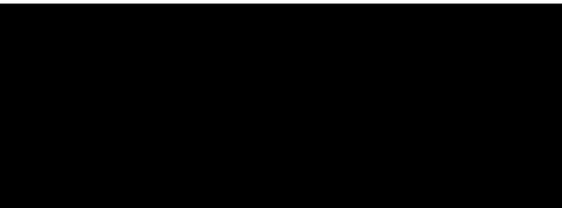
  

EQUIPMENT SYMBOLS	
	1 LPHWSC LOW PRESSURE HOT WATER STORAGE CALORIFIER
	2 ESC ELECTRIC STORAGE CALORIFIER
	3 RGWH REMOTE GAS WATER HEATER (COMBI)
	4 REWH REMOTE ELECTRIC WATER HEATER
	5 IHWH INSTANTANEOUS HOT WATER HEATER
	6 HB HYDROBOIL
	7 LPHWSC (T) LOW PRESSURE HOT WATER STORAGE CALORIFIER (T)
	8 ESC (T) ELECTRIC STORAGE CALORIFIER (T)
	9 T Tank
	10 DGSC DIRECT FIRED GAS HOT WATER CYLINDER
	11 HWBV HOT WATER BUFFER VESSEL
	12 SHSV SOLAR PRE-HEAT STORAGE VESSEL
	13 PHE PLATE HEAT EXCHANGER
	IMMERSION HEATER
	* SENTINEL OUTLETS

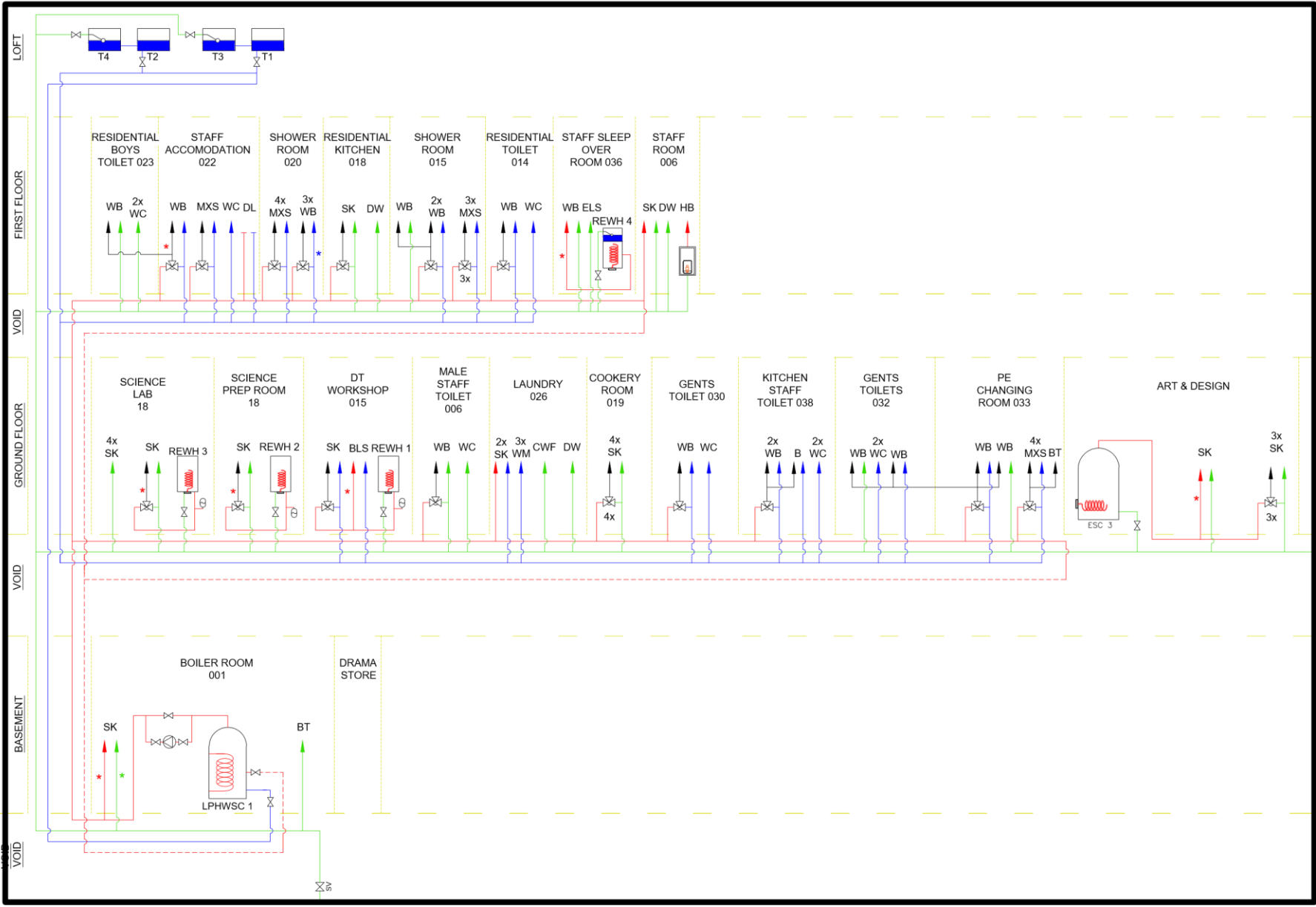
  

FITTINGS			
	BT BIB TAP		PRV
	HR HOSE REEL		PRESSURE RELIEF VALVE
	M METER		TEMPERATURE GAUGE
	V VALVE		PRESSURE GAUGE
	TMV		PRESSURE VESSEL
	S STRAINER		FILTER
	P PUMP		NON RETURN VALVE
	T TUNDISH		DOUBLE CHECK VALVE
	DL DEAD LEG		DRAIN / SAMPLE POINT
	PB PIPE BREAK		ISOLATED VALVE

REV	DATE	DESCRIPTION	DRAWN	CHECKED
0	11-06-2019	INITIAL RELEASE	SHARUKH	AG



LEICESCC, MILLGATE SCHOOL, WO - 154573



KEY	
<span style="color: red;">█</span>	HW = HOT WATER
<span style="color: red;">▬</span>	HWR = HOT WATER RETURN
<span style="color: green;">█</span>	MCW = MAINS COLD WATER
<span style="color: blue;">█</span>	CCW = CISTERN COLD WATER
<span style="color: black;">█</span>	BW = BLENDED WATER

EQUIPMENT	
WC	TOILET
WB	WASH HAND BASIN
B	BATH
UCT	URINAL CISTERN
ELS	ELECTRIC SHOWER
MXS	MIXER SHOWER
SK	SINK
BLS	BELFAST SINK
ZEW	EMERGENCY EYE WASH
ZS	EMERGENCY SHOWER
DW	DISH WASHER
WM	WASHING MACHINE
S	SLUICE
DRM	DRINKS MACHINE
DWF	DRINKING WATER FOUNTAIN
CWF	CHILLED WF
SO	STEAM OVEN
PU	PRESSURIZED UNIT

EQUIPMENT SYMBOLS	
	1 LPHWSC LOW PRESSURE HOT WATER STORAGE CALORIFIER
	2 ESC ELECTRIC STORAGE CALORIFIER
	3 RGWH REMOTE GAS WATER HEATER (COMBI)
	4 REWH REMOTE ELECTRIC WATER HEATER
	5 IHWH INSTANTANEOUS HOT WATER HEATER
	6 HB HYDROBOIL
	7 LPHWSC (T) LOW PRESSURE HOT WATER STORAGE CALORIFIER (T)
	8 ESC (T) ELECTRIC STORAGE CALORIFIER (T)
	9 T Tank
	10 DGSC DIRECT FIRED GAS HOT WATER CYLINDER
	11 HWBV HOT WATER BUFFER VESSEL
	12 SHSV SOLAR PRE-HEAT STORAGE VESSEL
	13 PHE PLATE HEAT EXCHANGER
	IMMERSION HEATER
	* SENTINEL OUTLETS

FITTINGS			
	BT BIB TAP		PRV
	HR HOSE REEL		PRESSURE RELIEF VALVE
	M METER		TEMPERATURE GAUGE
	V VALVE		PRESSURE GAUGE
	TMV		PRESSURE VESSEL
	STRAINER		FILTER
	PUMP		NON RETURN VALVE
	TUNDISH		DOUBLE CHECK VALVE
	DEAD LEG		DRAIN / SAMPLE POINT
	PIPE BREAK		ISOLATED VALVE

MCWS 1

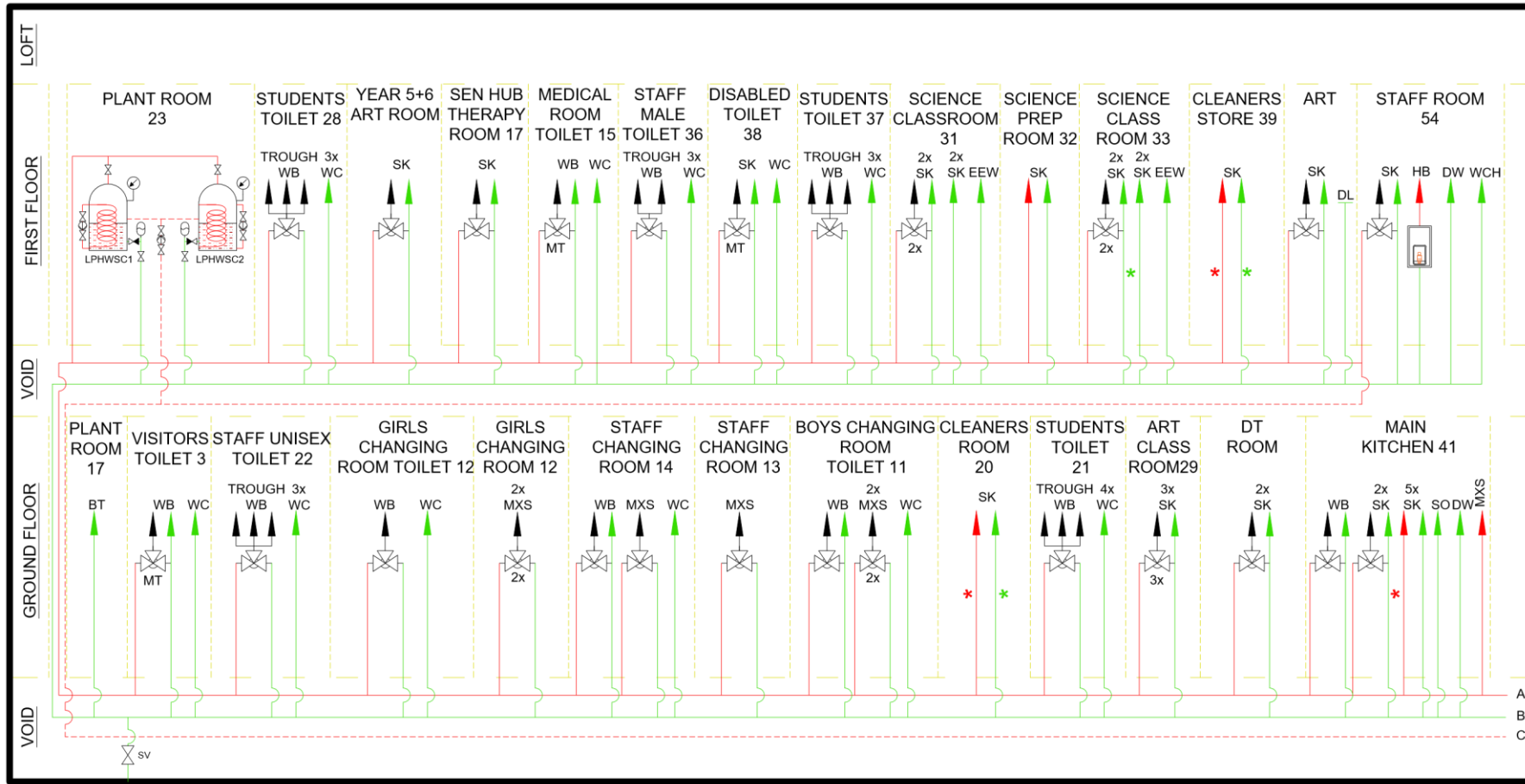
REV	DATE	DESCRIPTION	DRAWN	CHECKED
0	11-06-2019	INITIAL RELEASE	SHARUKH	AG

LEICESCC, MILLGATE SCHOOL, WO - 154573

Scale: NTS

Size: A4

Sheet: 1 of 4



MCWS 1

KEY	
<span style="color: red;">█</span>	HW = HOT WATER
<span style="color: red;">▬</span>	HWR = HOT WATER RETURN
<span style="color: green;">█</span>	MCW = MAINS COLD WATER
<span style="color: blue;">█</span>	CCW = CISTERN COLD WATER
<span style="color: black;">█</span>	BW = BLENDED WATER

EQUIPMENT	
WC	TOILET
WB	WASH HAND BASIN
B	BATH
UCT	URINAL CISTERN
ELS	ELECTRIC SHOWER
MXS	MIXER SHOWER
SK	SINK
BLS	BELFAST SINK
ZEW	EMERGENCY EYE WASH
ZS	EMERGENCY SHOWER
DW	DISH WASHER
WM	WASHING MACHINE
S	SLUICE
DRM	DRINKS MACHINE
DWF	DRINKING WATER FOUNTAIN
CWF	CHILLED WF
SO	STEAM OVEN
PU	PRESSURIZED UNIT

EQUIPMENT SYMBOLS	
	1 LPHWSC LOW PRESSURE HOT WATER STORAGE CALORIFIER
	2 ESC ELECTRIC STORAGE CALORIFIER
	3 RGWH REMOTE GAS WATER HEATER (COMBI)
	4 REWH REMOTE ELECTRIC WATER HEATER
	5 IHWH INSTANTANEOUS HOT WATER HEATER
	6 HB HYDROBOIL
	7 LPHWSC (T) LOW PRESSURE HOT WATER STORAGE CALORIFIER (T)
	8 ESC (T) ELECTRIC STORAGE CALORIFIER (T)
	9 T Tank
	10 DGVC DIRECT FIRED GAS HOT WATER CYLINDER
	11 HWBV HOT WATER BUFFER VESSEL
	12 SHSV SOLAR PRE-HEAT STORAGE VESSEL
	13 PHE PLATE HEAT EXCHANGER
	— IMMERSION HEATER
	* — SENTINEL OUTLETS

FITTINGS	
	BT BIB TAP
	HR HOSE REEL
	M METER
	V VALVE
	TMV TEMPERATURE MIXING VALVE
	STRAINER
	PUMP
	TUNDISH
	DEAD LEG
	PIPE BREAK
	PRV PRESSURE RELIEF VALVE
	TEMPERATURE GAUGE
	PRESSURE GAUGE
	PRESSURE VESSEL
	FILTER
	NON RETURN VALVE
	DOUBLE CHECK VALVE
	DRAIN / SAMPLE POINT
	ISOLATED VALVE

REV	DATE	DESCRIPTION	DRAWN	CHECK
0	29-01-2019	INITIAL RELEASE	SHARUKH	AG

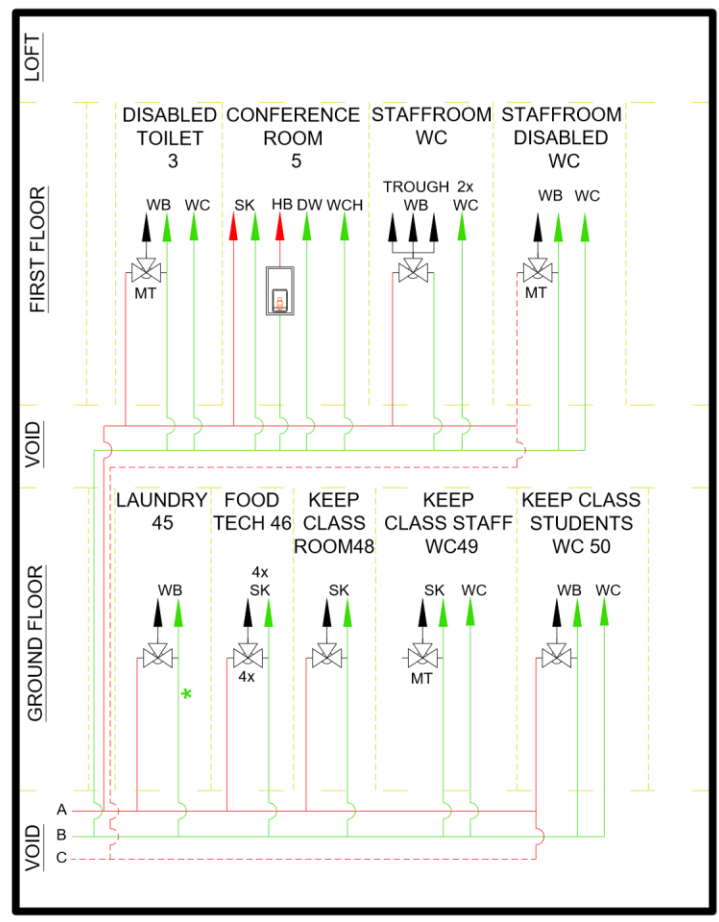
KEYHAM LODGE SCHOOL , WO - 142464

Scale: NTS

Size: A4

Sheet: 1 of 2





KEY	
<span style="color: red;">█</span>	HW = HOT WATER
<span style="color: red;">▬</span>	HWR = HOT WATER RETURN
<span style="color: green;">█</span>	MCW = MAINS COLD WATER
<span style="color: blue;">█</span>	CCW = CISTERN COLD WATER
<span style="color: black;">█</span>	BW = BLENDED WATER

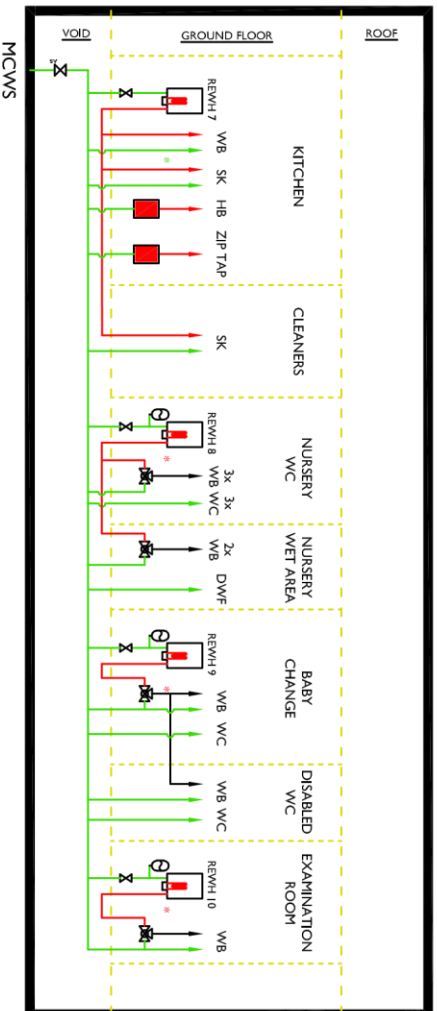
EQUIPMENT	
WC	TOILET
WB	WASH HAND BASIN
B	BATH
UCT	URINAL CISTERN
ELS	ELECTRIC SHOWER
MXS	MIXER SHOWER
SK	SINK
BLS	BELFAST SINK
ZEW	EMERGENCY EYE WASH
ZS	EMERGENCY SHOWER
DW	DISH WASHER
WM	WASHING MACHINE
S	SLUICE
DRM	DRINKS MACHINE
DWF	DRINKING WATER FOUNTAIN
CWF	CHILLED WF
SO	STEAM OVEN
PU	PRESSURIZED UNIT

EQUIPMENT SYMBOLS	
	1 LPHWSC LOW PRESSURE HOT WATER STORAGE CALORIFIER
	2 ESC ELECTRIC STORAGE CALORIFIER
	3 RGWH REMOTE GAS WATER HEATER (COMBI)
	4 REWH REMOTE ELECTRIC WATER HEATER
	5 IHWH INSTANTANEOUS HOT WATER HEATER
	6 HB HYDROBOIL
	7 LPHWSC (T) LOW PRESSURE HOT WATER STORAGE CALORIFIER (T)
	8 ESC (T) ELECTRIC STORAGE CALORIFIER (T)
	9 Tank
	10 DGSC DIRECT FIRED GAS HOT WATER CYLINDER
	11 HWBV HOT WATER BUFFER VESSEL
	12 SHSV SOLAR PRE-HEAT STORAGE VESSEL
	13 PHE PLATE HEAT EXCHANGER
	— IMMERSION HEATER
	* — SENTINEL OUTLETS

FITTINGS	
	BT BIB TAP
	PRV PRESSURE RELIEF VALVE
	HR HOSE REEL
	(M) METER
	VALVE
	TMV PRESSURE VESSEL
	STRAINER
	PUMP
	TUNDISH
	DEAD LEG
	PIPE BREAK
	FILTER
	NON RETURN VALVE
	DOUBLE CHECK VALVE
	DRAIN / SAMPLE POINT
	ISOLATED VALVE

REV	DATE	DESCRIPTION	DRAWN	CHECKED
0	29-01-2019	INITIAL RELEASE	SHARUKH	AG

KEYHAM LODGE SCHOOL , WO - 142464



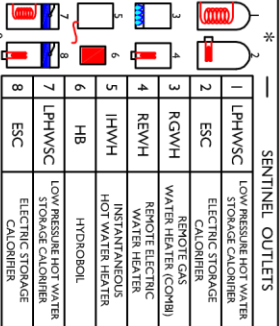
**KEY**

- HW = HOT WATER
- HWR = HOT WATER RETURN
- MCW = MAINS COLD WATER
- CCW = CISTERN COLD WATER
- BW = BLENDED WATER

**EQUIPMENT**

- WC TOILET
- WB WASH HAND BASIN
- B BATH
- UC URINAL CISTERN
- ES ELECTRIC SHOWER
- MS MIXER SHOWER
- SK SINK
- BSK BELFAST SINK
- EEW EMERGENCY EYE WASH
- Ems EMERGENCY SHOWER
- DW DISH WASHER
- WM WASHING MACHINE
- SL SLUICE
- DM DRINKS MACHINE
- DWF DRINKING WATER FOUNTAIN
- CWF CHILLED WF

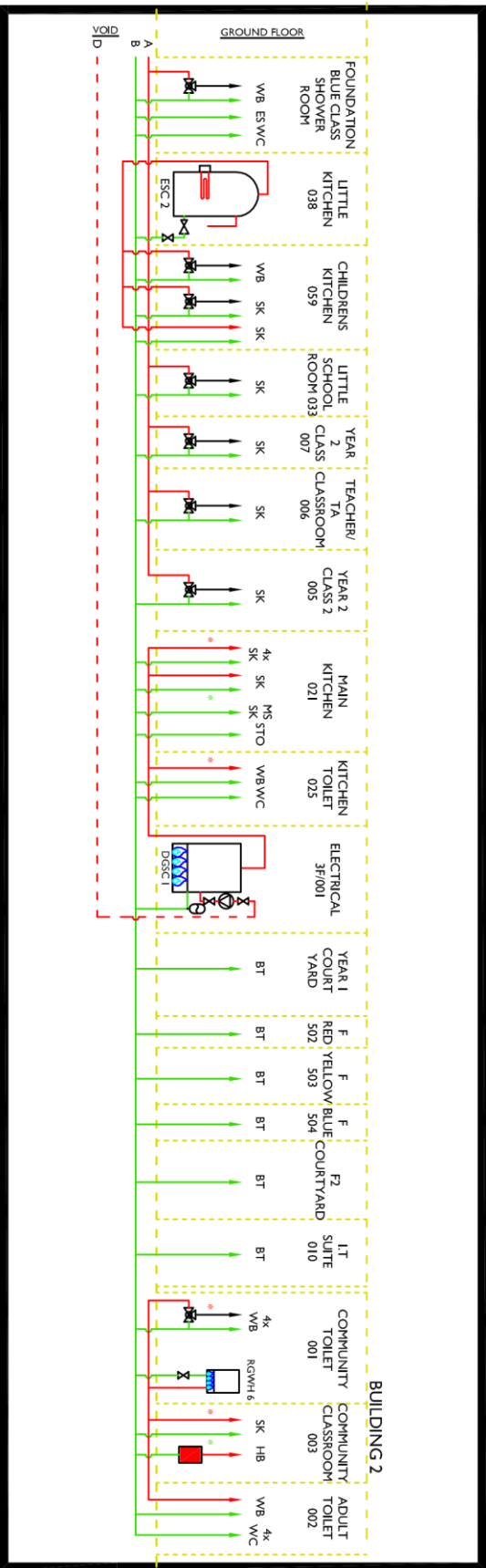
**EQUIPMENT SYMBOLS**



**FITTINGS**

- BT BIB TAP
- HR HOSE REEL
- TEMPERATURE / PRESSURE GAUGE
- METER
- VALVE
- TRV
- PRV
- PRESSURE RELIEF VALVE
- STRAINER
- PRESSURE VESSEL
- NON RETURN VALVE
- DOUBLE CHECK VALVE
- PUMP
- TUNDISH
- DEAD LEG
- FILTER
- DRAIN / SAMPLE POINT
- PIPE BREAK

REV	DESCRIPTION	DATE	DRAWN	CHKD	APPD
1A		20/05/2019	JW	SD	
<p>Imperial LEICESCC                  - Imperial Avenue Infant                  School - 1245090266</p> <p>These drawings must not be copied or duplicated nor shown to or placed at the disposal of third persons without our written consent.</p>					



**KEY**

Red line	HW = HOT WATER
Blue line	HWB = HOT WATER RETURN
Green line	MGW = MAINS COLD WATER
Blue line	CGW = CISTERN COLD WATER
Black line	BW = BLENDED WATER

**EQUIPMENT SYMBOLS**

WC	TOILET
WB	WASH HAND BASIN
B	BATH
UC	URINAL CISTERN
ES	ELECTRIC SHOWER
MS	MIXER SHOWER
SK	SINK
BSK	BELFAST SINK
EEW	EMERGENCY EYE WASH
Ems	EMERGENCY SHOWER
DW	DISH WASHER
WM	WASHING MACHINE
SL	SLUCE
DM	DRINKS MACHINE
DWF	DRINKING WATER FOUNDRAIN
CWF	CHILLED WF

**EQUIPMENT SYMBOLS**

\* SENTINEL OUTLETS

1	LPHWSC	LOW PRESSURE HOT WATER STORAGE CALORIFIER
2	ESC	ELECTRIC STORAGE CALORIFIER
3	RGWH	RENOVE ELECTRIC WATER HEATER (COBBI)
4	REWH	RENOVE ELECTRIC WATER HEATER
5	IHWH	INSTANTANEOUS HOT WATER HEATER
6	HB	HYDROBOLL
7	LPHWSC	LOW PRESSURE HOT WATER STORAGE CALORIFIER
8	ESC	ELECTRIC STORAGE CALORIFIER

**FITTINGS**

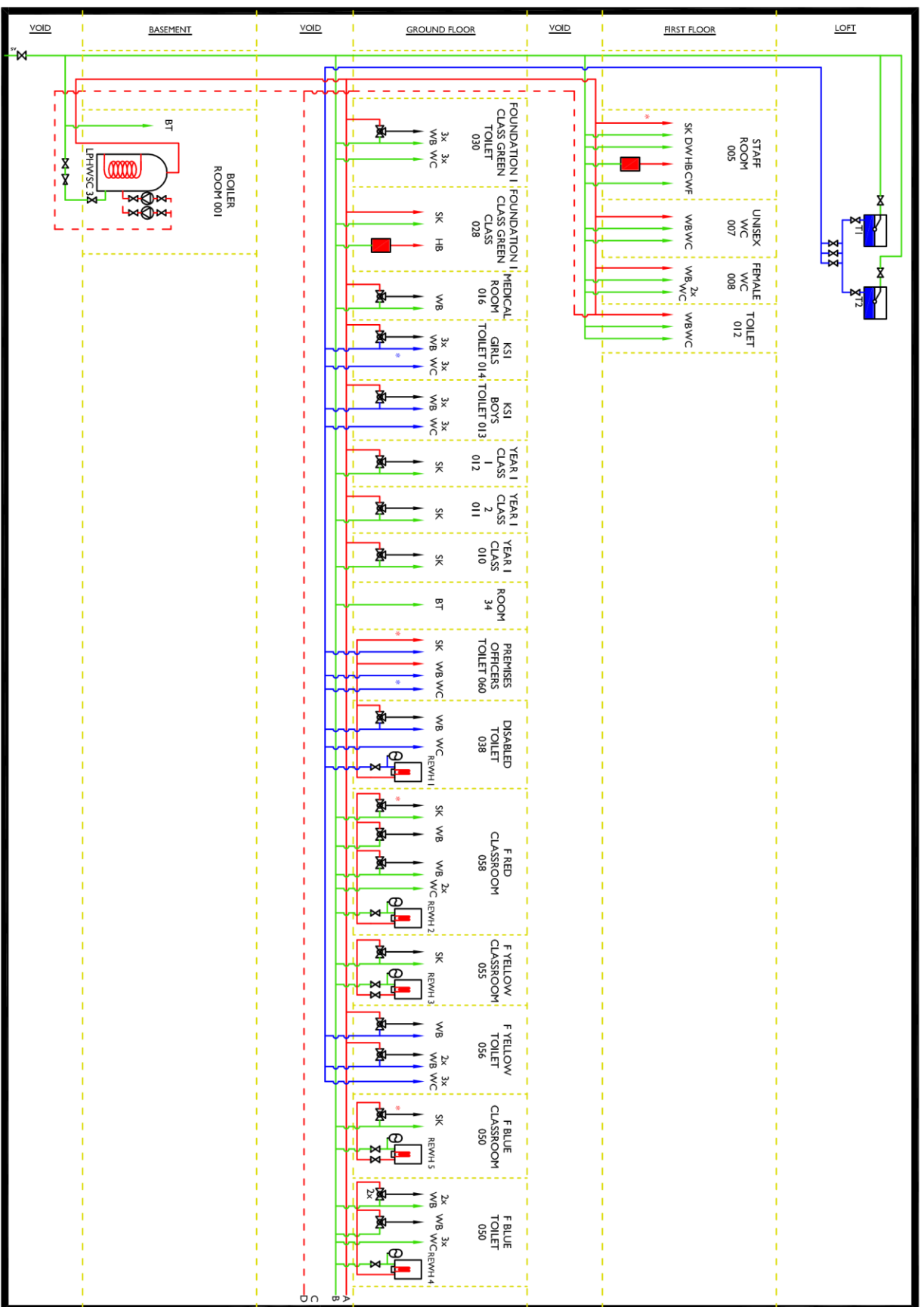
9-T-TANK	IMMERSSION HEATER
----------	-------------------

BT	BIB TAP
HR	HOSE REEL
(P)	TEMPERATURE / PRESSURE GAUGE
(M)	METER
(V)	VALVE
(TV)	TRIV
(PRV)	PRV
(PSR)	PRESSURE RELIEF VALVE
(STR)	STRAINER
(PV)	PRESSURE VESSEL
(NRV)	NON RETURN VALVE
(DCV)	DOUBLE CHECK VALVE
(P)	PUMP
(T)	TUNDISH
(L)	DEAD LEG
(F)	FILTER
(D)	DRAIN / SAMPLE POINT
(PB)	PIPE BREAK

REV	DESCRIPTION	DATE	DRAWN	CHKD	APPD
1A		20/05/2019	JW	SD	

LEICESCC  
 - Imperial Avenue Infant  
 School - 1245090266

These drawings must not be copied or duplicated nor shown to or placed at the disposal of third persons without our written consent.



REV	DESCRIPTION	DATE	DRAWN	CHKD	APPD
1A		20/05/2019	JW	SD	

**LEICESTER**  
 - Imperial Avenue Infant  
 School - 1245090266

These drawings must not be copied or duplicated nor shown to or placed at the disposal of third persons without our written consent.

BT	BIB TAP
HR	HOSE REEL
	TEMPERATURE / PRESSURE GAUGE
	METER
	VALVE
	TRIV
	PRV
	PRESSURE RELIEF VALVE
	STRAINER
	PRESSURE VESSEL
	NON RETURN VALVE
	DOUBLE CHECK VALVE
	PUMP
	TUNDISH
	DEAD LEG
	FILTER
	DRAIN / SAMPLE POINT
	PIPE BREAK

1	LPHWSC	LOW PRESSURE HOT WATER STORAGE CYLINDER
2	ESC	ELECTRIC STORAGE
3	RGWH	REHOT GAS WATER HEATER (COMBI)
4	REWH	REHOT ELECTRIC WATER HEATER
5	IHW	INSTANTANEOUS HOT WATER HEATER
6	HB	HYDRONORB
7	LPHWSC	LOW PRESSURE HOT WATER STORAGE CYLINDER
8	ESC	ELECTRIC STORAGE CYLINDER

HW	= HOT WATER
HWR	= HOT WATER RETURN
MW	= MAINS COLD WATER
CCW	= CISTERN COLD WATER
BW	= BLENDED WATER

WC	TOILET
WB	WASH HAND BASIN
B	BATH
UC	URINAL CISTERN
ES	ELECTRIC SHOWER
MS	MIXER SHOWER
SK	SINK
BSK	BELFAST SINK
EEW	EMERGENCY EYE WASH
EWS	EMERGENCY SHOWER
DW	DISH WASHER
WM	WASHING MACHINE
SL	SLUCE
DM	DRINKS MACHINE
DWF	DRINKING WATER FOUNTAIN
CWF	CHILLED WF

EQUIPMENT SYMBOLS	
SENTINEL OUTLETS	
1	LPHWSC
2	ESC
3	RGWH
4	REWH
5	IHW
6	HB
7	LPHWSC
8	ESC

FITTINGS	
IMPRESSION HEATER	
9 - T - TANK	

KEY	HW = HOT WATER
	HWR = HOT WATER RETURN
	MW = MAINS COLD WATER
	CCW = CISTERN COLD WATER
	BW = BLENDED WATER

EQUIPMENT	
WC	TOILET
WB	WASH HAND BASIN
B	BATH
UC	URINAL CISTERN
ES	ELECTRIC SHOWER
MS	MIXER SHOWER
SK	SINK
BSK	BELFAST SINK
EEW	EMERGENCY EYE WASH
EWS	EMERGENCY SHOWER
DW	DISH WASHER
WM	WASHING MACHINE
SL	SLUCE
DM	DRINKS MACHINE
DWF	DRINKING WATER FOUNTAIN
CWF	CHILLED WF



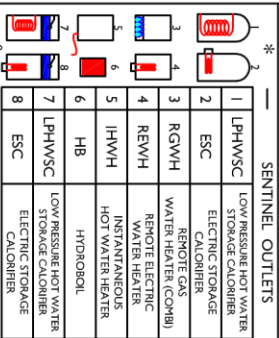
**KEY**

- HW = HOT WATER
- HW/R = HOT WATER RETURN
- MCW = MAINS COLD WATER
- CCW = CISTERN COLD WATER
- BW = BLENDED WATER

**EQUIPMENT**

- WC TOILET
- WB WASH HAND BASIN
- B BATH
- UC URINAL CISTERN
- ES ELECTRIC SHOWER
- MS MIXER SHOWER
- SK SINK
- BSK BELFAST SINK
- EEW EMERGENCY EYE WASH
- Ems EMERGENCY SHOWER
- DW DISH WASHER
- WM WASHING MACHINE
- SL SLUICE
- DM DRINKS MACHINE
- DWF DRINKING WATER FOUNTAIN
- CWF CHILLED WF

**EQUIPMENT SYMBOLS**



**FITTINGS**

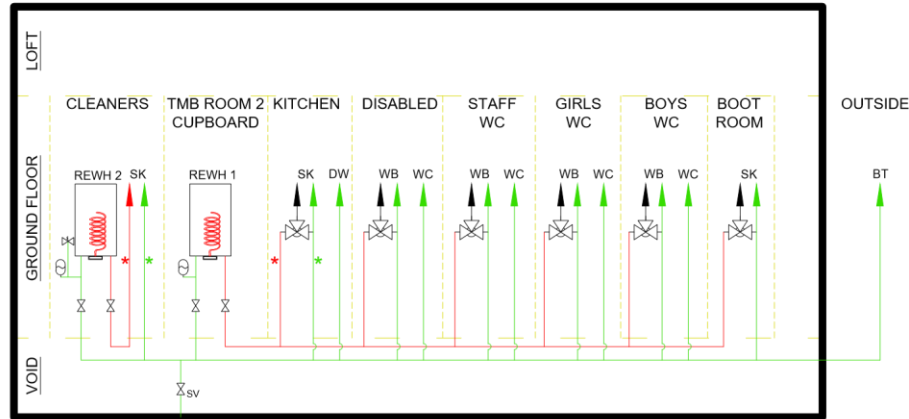
- BT BIB TAP
- HR HOSE REEL
- TEMPERATURE / PRESSURE GAUGE
- METER
- VALVE
- TRV
- PRV
- PRESSURE RELIEF VALVE
- STRAINER
- PRESSURE VESSEL
- NON RETURN VALVE
- DOUBLE CHECK VALVE
- PUMP
- TUNDISH
- DEAD LEG
- FILTER
- DRAIN / SAMPLE POINT
- PIPE BREAK

REV	DESCRIPTION	DATE	DRAWN	CHKD	APPD
1A		03/06/2019	JW	SD	
These drawings must not be copied or duplicated nor shown to or placed at the disposal of third persons without our written consent.					

**LEICESCC**  
 - Former Ellesmere College  
 - 0572099887



MAIN BUILDING



MCWS 1  
(TMB ROOM 2  
CUPBOARD)

KEY	
<span style="color: red;">█</span>	HW = HOT WATER
<span style="color: orange;">█</span>	HWR = HOT WATER RETURN
<span style="color: green;">█</span>	MCW = MAINS COLD WATER
<span style="color: blue;">█</span>	CCW = CISTERN COLD WATER
<span style="color: black;">█</span>	BW = BLENDED WATER

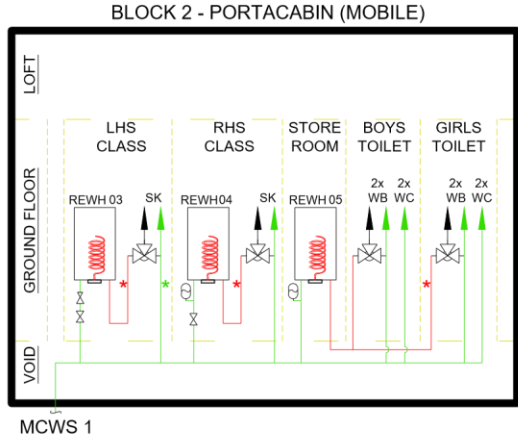
EQUIPMENT	
WC	TOILET
WB	WASH HAND BASIN
B	BATH
UCT	URINAL CISTERN
ELS	ELECTRIC SHOWER
MXS	MIXER SHOWER
SK	SINK
BLS	BELFAST SINK
ZEW	EMERGENCY EYE WASH
ZS	EMERGENCY SHOWER
DW	DISH WASHER
WM	WASHING MACHINE
S	SLUICE
DRM	DRINKS MACHINE
DWF	DRINKING WATER FOUNTAIN
CWF	CHILLED WF
SO	STEAM OVEN
PU	PRESSURIZED UNIT

EQUIPMENT SYMBOLS	
	1 LPHWSC LOW PRESSURE HOT WATER STORAGE CALORIFIER
	2 ESC ELECTRIC STORAGE CALORIFIER
	3 RGWH REMOTE GAS WATER HEATER (COMBI)
	4 REWH REMOTE ELECTRIC WATER HEATER
	5 IHWH INSTANTANEOUS HOT WATER HEATER
	6 HB HYDROBOIL
	7 LPHWSC (T) LOW PRESSURE HOT WATER STORAGE CALORIFIER (T)
	8 ESC (T) ELECTRIC STORAGE CALORIFIER (T)
	9 Tank
	10 DGSC DIRECT FIRED GAS HOT WATER CYLINDER
	11 HWBV HOT WATER BUFFER VESSEL
	12 SHSV SOLAR PRE-HEAT STORAGE VESSEL
	13 PHE PLATE HEAT EXCHANGER
	— IMMERSION HEATER
	* — SENTINEL OUTLETS

FITTINGS			
	BT BIB TAP		PRV
	HR HOSE REEL		PRESSURE RELIEF VALVE
	(M) METER		TEMPERATURE GAUGE
	VALVE		PRESSURE GAUGE
	TMV		PRESSURE VESSEL
	STRAINER		FILTER
	PUMP		NON RETURN VALVE
	TUNDISH		DOUBLE CHECK VALVE

REV	DATE	DESCRIPTION	DRAWN	CHECKED
0	23-09-2019	INITIAL RELEASE	ZUBAIR	SHARUKH

DWG. NO.: ZL80801-134  
 Scale: NTS  
 Date: 23-09-2019  
 Drawn: ZUBAIR  
 Checked: SHARUKH



**KEY**

<span style="color: red;">█</span>	HW	=	HOT WATER
<span style="color: red;">▬▬▬</span>	HWR	=	HOT WATER RETURN
<span style="color: green;">█</span>	MCW	=	MAINS COLD WATER
<span style="color: blue;">█</span>	CCW	=	CISTERN COLD WATER
<span style="color: black;">█</span>	BW	=	BLENDED WATER

**EQUIPMENT**

WC	TOILET
WB	WASH HAND BASIN
B	BATH
UCT	URINAL CISTERN
ELS	ELECTRIC SHOWER
MXS	MIXER SHOWER
SK	SINK
BLS	BELFAST SINK
ZEW	EMERGENCY EYE WASH
ZS	EMERGENCY SHOWER
DW	DISH WASHER
WM	WASHING MACHINE
S	SLUICE
DRM	DRINKS MACHINE
DWF	DRINKING WATER FOUNTAIN
CWF	CHILLED WF
SO	STEAM OVEN
PU	PRESSURIZED UNIT

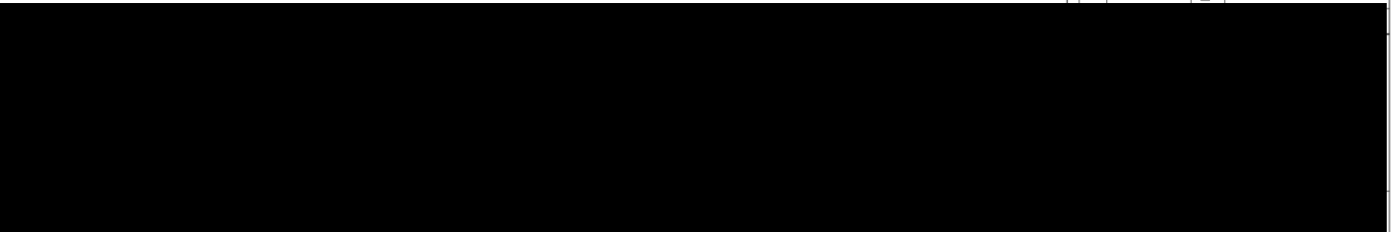
**EQUIPMENT SYMBOLS**

	1	LPHWSC	LOW PRESSURE HOT WATER STORAGE CALORIFIER
	2	ESC	ELECTRIC STORAGE CALORIFIER
	3	RGWH	REMOTE GAS WATER HEATER (COMBI)
	4	REWH	REMOTE ELECTRIC WATER HEATER
	5	IHWH	INSTANTANEOUS HOT WATER HEATER
	6	HB	HYDROBOIL
	7	LPHWSC (T)	LOW PRESSURE HOT WATER STORAGE CALORIFIER (T)
	8	ESC (T)	ELECTRIC STORAGE CALORIFIER (T)
	9	T	Tank
	10	DGSC	DIRECT FIRED GAS HOT WATER CYLINDER
	11	HWBV	HOT WATER BUFFER VESSEL
	12	SHSV	SOLAR PRE-HEAT STORAGE VESSEL
	13	PHE	PLATE HEAT EXCHANGER
			IMMERSION HEATER
		*	SENTINEL OUTLETS

**FITTINGS**

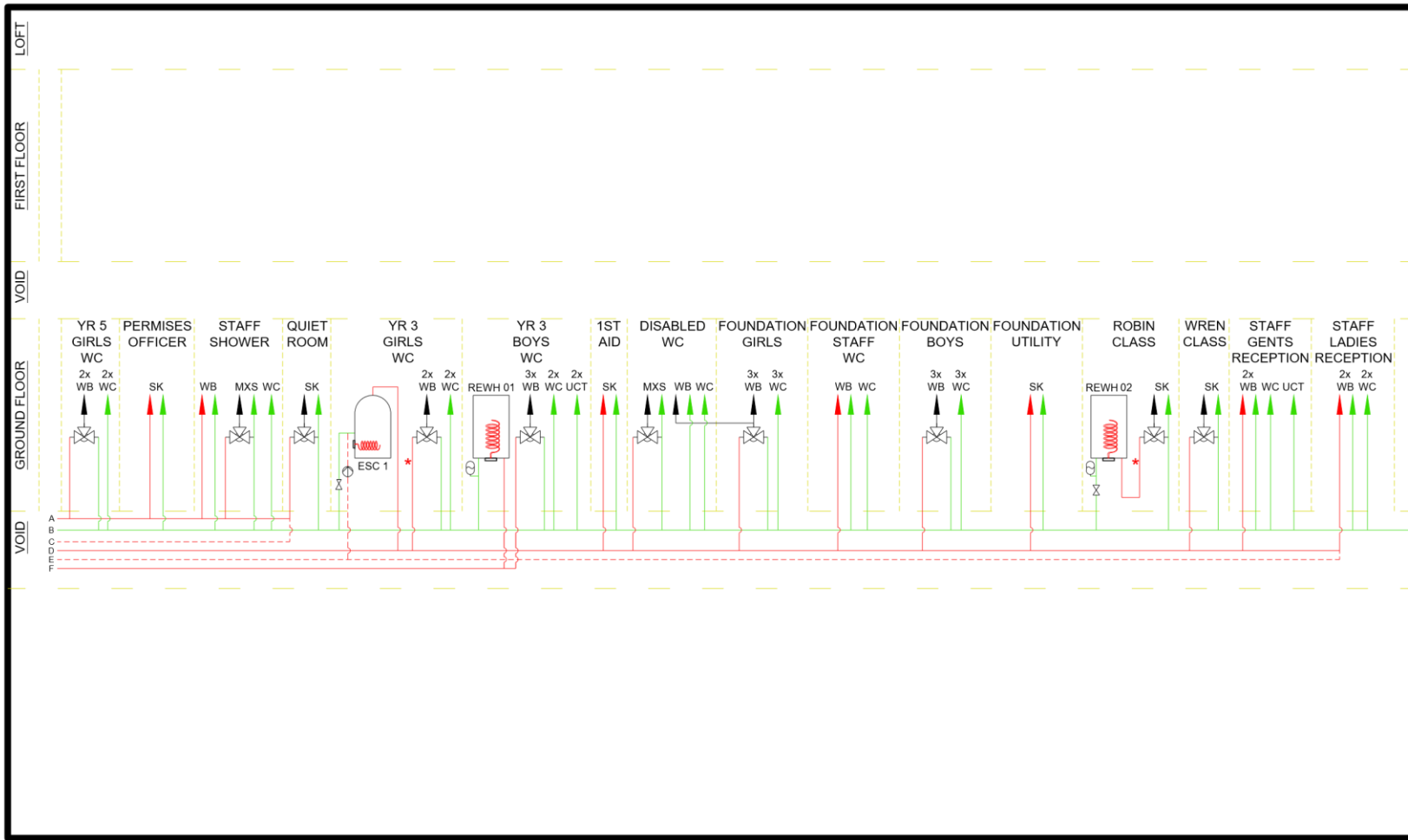
	BT	BIB TAP		PRV
	HR	HOSE REEL		PRESSURE RELIEF VALVE
	(M)	METER		TEMPERATURE GAUGE
		VALVE		PRESSURE GAUGE
		TMV		PRESSURE VESSEL
		STRAINER		FILTER
		PUMP		NON RETURN VALVE
		TUNDISH		DOUBLE CHECK VALVE
		DEAD LEG		DRAIN / SAMPLE POINT

REV	DATE	DESCRIPTION	DRAWN	CHECKED
0	30-10-2019	INITIAL RELEASE	SUBODH	SHARUK





BLOCK 1 - MAIN BLOCK



KEY	
<span style="color: red;">█</span>	HW = HOT WATER
<span style="color: orange;">█</span>	HWR = HOT WATER RETURN
<span style="color: green;">█</span>	MCW = MAINS COLD WATER
<span style="color: blue;">█</span>	CCW = CISTERN COLD WATER
<span style="color: black;">█</span>	BW = BLENDED WATER

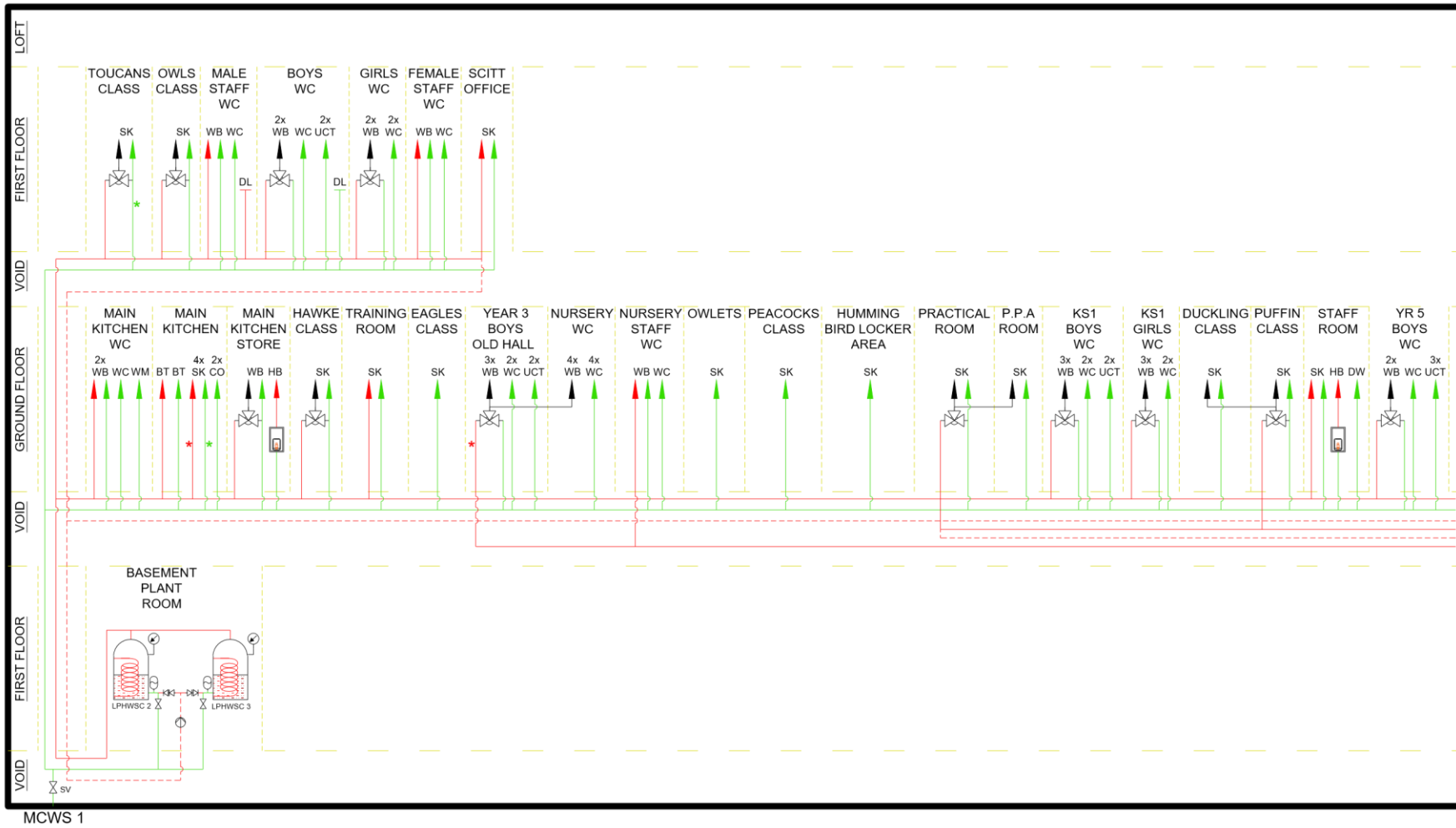
EQUIPMENT	
WC	TOILET
WB	WASH HAND BASIN
B	BATH
UCT	URINAL CISTERN
ELS	ELECTRIC SHOWER
MXS	MIXER SHOWER
SK	SINK
BLS	BELFAST SINK
ZEW	EMERGENCY EYE WASH
ZS	EMERGENCY SHOWER
DW	DISH WASHER
WM	WASHING MACHINE
S	SLUICE
DRM	DRINKS MACHINE
DWF	DRINKING WATER FOUNTAIN
CWF	CHILLED WF
SO	STEAM OVEN
PU	PRESSURIZED UNIT

EQUIPMENT SYMBOLS	
	1 LPHWSC LOW PRESSURE HOT WATER STORAGE CALORIFIER
	2 ESC ELECTRIC STORAGE CALORIFIER
	3 RGWH REMOTE GAS WATER HEATER (COMBI)
	4 REWH REMOTE ELECTRIC WATER HEATER
	5 IHWH INSTANTANEOUS HOT WATER HEATER
	6 HB HYDROBOIL
	7 LPHWSC (T) LOW PRESSURE HOT WATER STORAGE CALORIFIER (T)
	8 ESC (T) ELECTRIC STORAGE CALORIFIER (T)
	9 T Tank
	10 DGSC DIRECT FIRED GAS HOT WATER CYLINDER
	11 HWBV HOT WATER BUFFER VESSEL
	12 SHSV SOLAR PRE-HEAT STORAGE VESSEL
	13 PHE PLATE HEAT EXCHANGER
	IMMERSION HEATER
	* SENTINEL OUTLETS

FITTINGS			
	BT BIB TAP		PRV
	HR HOSE REEL		PRESSURE RELIEF VALVE
	M METER		TEMPERATURE GAUGE
	V VALVE		PRESSURE GAUGE
	TMV		PRESSURE VESSEL
	S STRAINER		FILTER
	P PUMP		NON RETURN VALVE
	T TUNDISH		DOUBLE CHECK VALVE
	DL DEAD LEG		DRAIN / SAMPLE POINT
	PB PIPE BREAK		ISOLATED VALVE

REV	DATE	DESCRIPTION	DRAWN
0	30-10-2019	INITIAL RELEASE	SUBODH

BLOCK 1 - MAIN BLOCK



KEY	
<span style="color: red;">█</span>	HW = HOT WATER
<span style="color: red;">▬</span>	HWR = HOT WATER RETURN
<span style="color: green;">█</span>	MCW = MAINS COLD WATER
<span style="color: blue;">█</span>	CCW = CISTERN COLD WATER
<span style="color: black;">█</span>	BW = BLENDED WATER

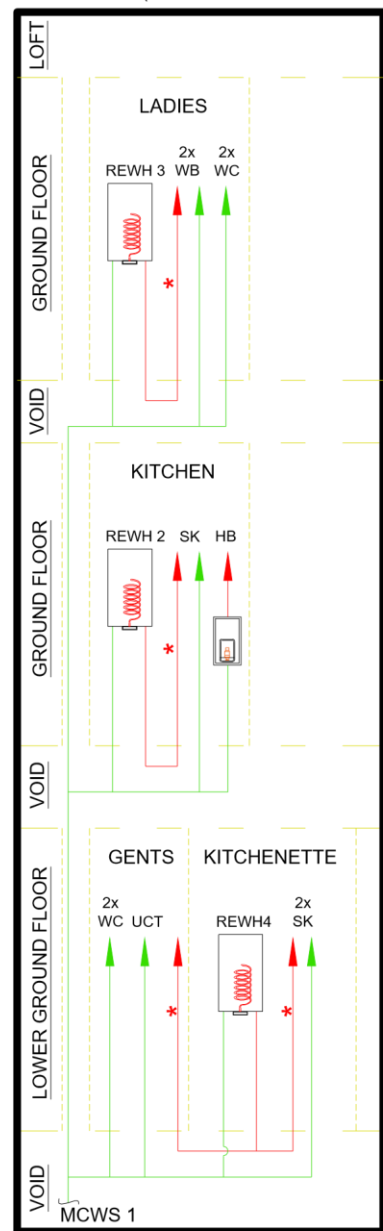
EQUIPMENT	
WC	TOILET
WB	WASH HAND BASIN
B	BATH
UCT	URINAL CISTERN
ELS	ELECTRIC SHOWER
MXS	MIXER SHOWER
SK	SINK
BLS	BELFAST SINK
ZEW	EMERGENCY EYE WASH
ZS	EMERGENCY SHOWER
DW	DISH WASHER
WM	WASHING MACHINE
S	SLUICE
DRM	DRINKS MACHINE
DWF	DRINKING WATER FOUNTAIN
CWF	CHILLED WF
SO	STEAM OVEN
PU	PRESSURIZED UNIT

EQUIPMENT SYMBOLS	
	1 LPHWSC LOW PRESSURE HOT WATER STORAGE CALORIFIER
	2 ESC ELECTRIC STORAGE CALORIFIER
	3 RGWH REMOTE GAS WATER HEATER (COMBI)
	4 REWH REMOTE ELECTRIC WATER HEATER
	5 IHWH INSTANTANEOUS HOT WATER HEATER
	6 HB HYDROBOIL
	7 LPHWSC (T) LOW PRESSURE HOT WATER STORAGE CALORIFIER (T)
	8 ESC (T) ELECTRIC STORAGE CALORIFIER (T)
	9 T Tank
	10 DGSC DIRECT FIRED GAS HOT WATER CYLINDER
	11 HWBV HOT WATER BUFFER VESSEL
	12 SHSV SOLAR PRE-HEAT STORAGE VESSEL
	13 PHE PLATE HEAT EXCHANGER
	IMMERSION HEATER
	SENTINEL OUTLETS

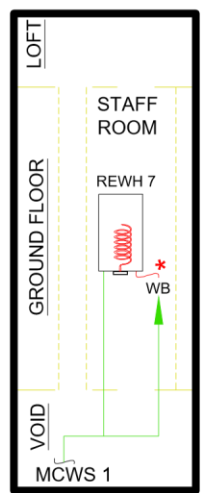
FITTINGS	
	BT BIB TAP
	HR HOSE REEL
	(M) METER
	V VALVE
	TMV TMV
	S STRAINER
	P PUMP
	T TUNDISH
	DL DEAD LEG
	PB PIPE BREAK
	PRV PRESSURE RELIEF VALVE
	TG TEMPERATURE GAUGE
	PG PRESSURE GAUGE
	PV PRESSURE VESSEL
	F FILTER
	NRV NON RETURN VALVE
	DCV DOUBLE CHECK VALVE
	DS DRAIN / SAMPLE POINT
	IV ISOLATED VALVE

REV	DATE	DESCRIPTION	DRAWN	CHECKED				
0	14-11-2019	INITIAL RELEASE	SUBODH	SHARUKH	[REDACTED]			
<small>not duplicated nor shown to or placed at the disposal of third person without our written consent</small>					DWG. No.: 1E7349F213	Scale: NTS	Size: A4	Sheet: 1 of 3

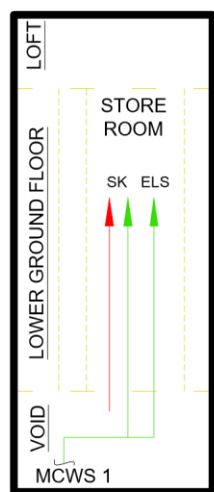
BLOCK - TWO (TRAFFIC WARDEN OFFICE)



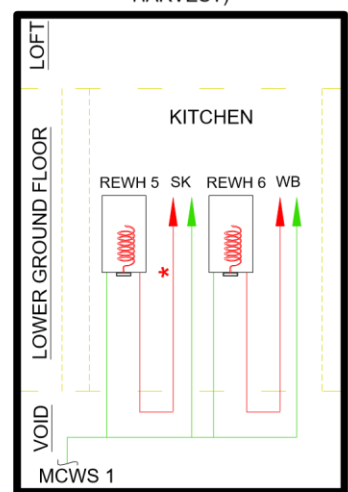
BLOCK N (NEWS AGENT)



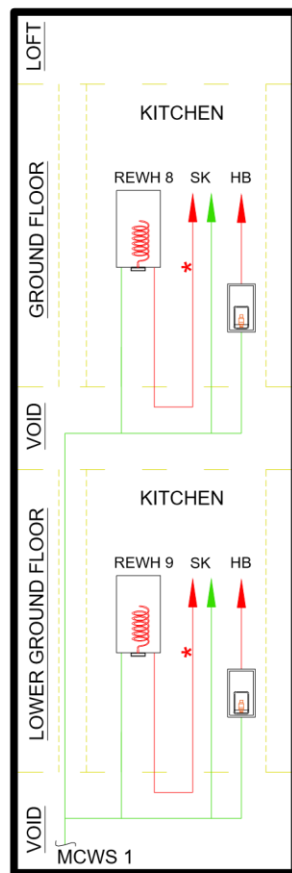
BLOCK S (STABANA)



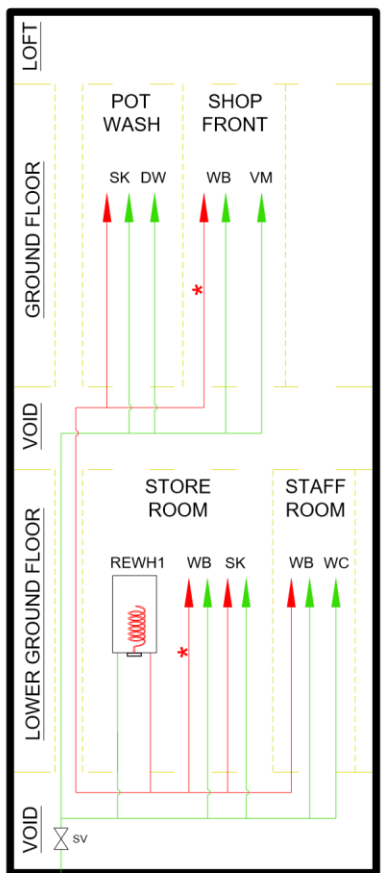
BLOCK GH (GOOD HARVEST)



BLOCK L (LLEP)



BLOCK D (DELISH)



**KEY**

	HW = HOT WATER
	HWR = HOT WATER RETURN
	MCW = MAINS COLD WATER
	CCW = CISTERN COLD WATER
	BW = BLENDED WATER

**EQUIPMENT**

WC	TOILET
WB	WASH HAND BASIN
B	BATH
UCT	URINAL CISTERN
ELS	ELECTRIC SHOWER
MXS	MIXER SHOWER
SK	SINK
BLS	BELFAST SINK
ZEW	EMERGENCY EYE WASH
ZS	EMERGENCY SHOWER
DW	DISH WASHER
WM	WASHING MACHINE
S	SLUICE
DRM	DRINKS MACHINE
DWF	DRINKING WATER FOUNTAIN
CWF	CHILLED WF
SO	STEAM OVEN
PU	PRESSURIZED UNIT

**EQUIPMENT SYMBOLS**

	1 LPHWSC	LOW PRESSURE HOT WATER STORAGE CALORIFIER
	2 ESC	ELECTRIC STORAGE CALORIFIER
	3 RGWH	REMOTE GAS WATER HEATER (COMBI)
	4 REWH	REMOTE ELECTRIC WATER HEATER
	5 IHWH	INSTANTANEOUS HOT WATER HEATER
	6 HB	HYDROBOIL
	7 LPHWSC (T)	LOW PRESSURE HOT WATER STORAGE CALORIFIER (T)
	8 ESC (T)	ELECTRIC STORAGE CALORIFIER (T)
	9 T	Tank
	10 DGSC	DIRECT FIRED GAS HOT WATER CYLINDER
	11 HWBV	HOT WATER BUFFER VESSEL
	12 SHSV	SOLAR PRE-HEAT STORAGE VESSEL
	13 PHE	PLATE HEAT EXCHANGER
		IMMERSION HEATER
		SENTINEL OUTLETS

**FITTINGS**

	BT	BIB TAP		PRV
	HR	HOSE REEL		PRESSURE RELIEF VALVE
	(M)	METER		TEMPERATURE GAUGE
	(V)	VALVE		PRESSURE GAUGE
	TMV	TEMPERATURE MIXING VALVE		PRESSURE VESSEL
	(S)	STRAINER		FILTER
	(P)	PUMP		NON RETURN VALVE
	(T)	TUNDISH		DOUBLE CHECK VALVE
	(DL)	DEAD LEG		DRAIN / SAMPLE POINT
	(PB)	PIPE BREAK		ISOLATED VALVE

REV	DATE	DESCRIPTION	DRAWN	CHECKED
0	28-01-2019	INITIAL RELEASE	AKASH	SRM

LEICESCC, CHARLES STREET RETAIL UNITS, WO - 145564

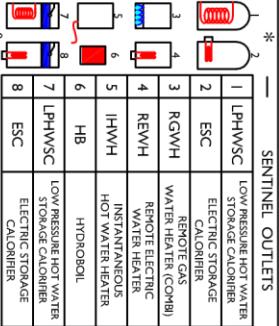
**KEY**

- HW = HOT WATER
- ■ ■ ■ HWR = HOT WATER RETURN
- MCW = MAINS COLD WATER
- CCW = CISTERN COLD WATER
- BW = BLENDED WATER

**EQUIPMENT**

- WC TOILET
- WB WASH HAND BASIN
- B BATH
- UC URINAL CISTERN
- ES ELECTRIC SHOWER
- MS MIXER SHOWER
- SK SINK
- BSK BELFAST SINK
- EEW EMERGENCY EYE WASH
- Ems EMERGENCY SHOWER
- DW DISH WASHER
- WM WASHING MACHINE
- SL SLUICE
- DM DRINKS MACHINE
- DWF DRINKING WATER FOUNTAIN
- CWF CHILLED WF

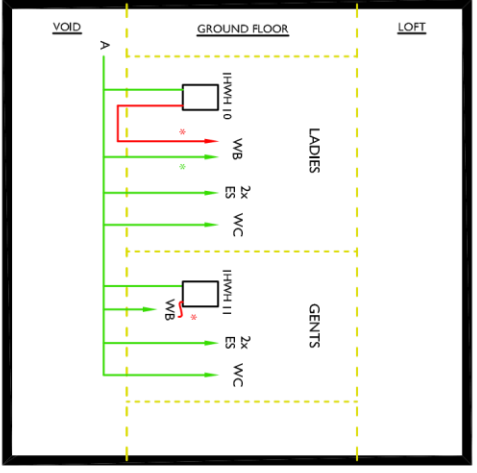
**EQUIPMENT SYMBOLS**



- \* SENTINEL OUTLETS
- 1 LPHWSC LOW PRESSURE HOT WATER STORAGE CALORIFIER
- 2 ESC ELECTRIC STORAGE CALORIFIER
- 3 RGWH WATER HEATER (COMB)
- 4 REMH REMOTE ELECTRIC WATER HEATER
- 5 IHWH INSTANTANEOUS HOT WATER HEATER
- 6 HB HYDROBOL
- 7 LPHWSC LOW PRESSURE HOT WATER STORAGE CALORIFIER
- 8 ESC ELECTRIC STORAGE CALORIFIER

**FITTINGS**

- BT BIB TAP
- HR HOSE REEL
- TEMPERATURE / PRESSURE GAUGE
- METER
- VALVE
- TRV
- PRV
- PRESSURE RELIEF VALVE
- STRAINER
- PRESSURE VESSEL
- NON RETURN VALVE
- DOUBLE CHECK VALVE
- PUMP
- TUNDISH
- DEAD LEG
- FILTER
- DRAIN / SAMPLE POINT
- PIPE BREAK



CHANGING UNITS

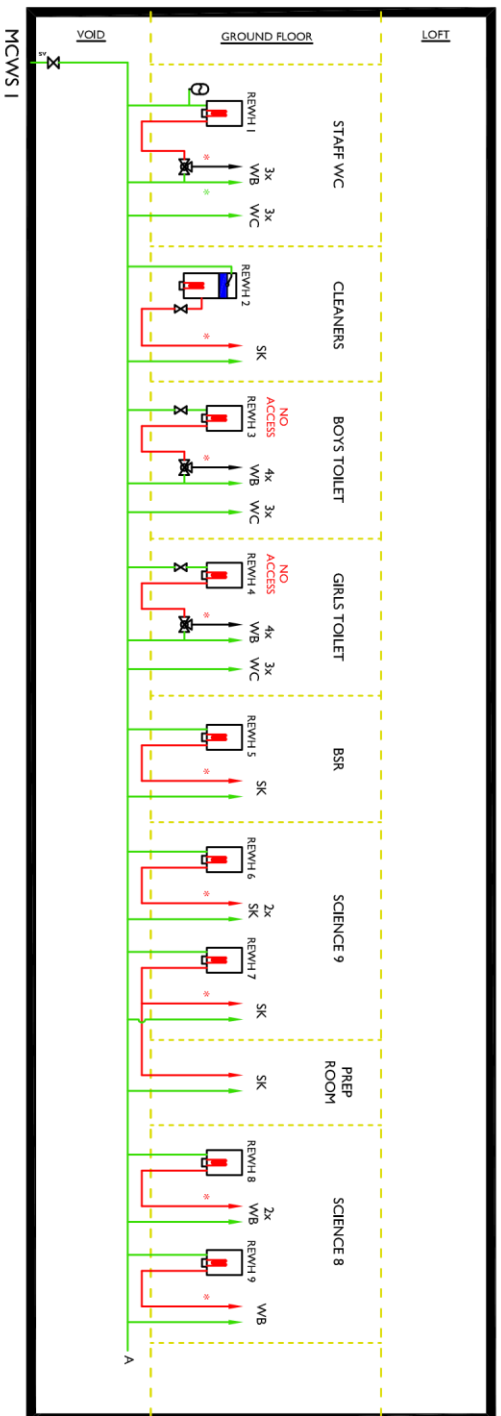
REV	DESCRIPTION	DATE	DRAWN	CHKD	APPD
1A		17/07/2018	PF	SD	

These drawings must not be copied or duplicated nor shown to or placed at the disposal of third persons without our written consent.

Babington Community  
Technology College  
- 1245098961

REV	DESCRIPTION	DATE	DRAWN	CHKD	APPD	Title <b>Babington Community          Technology College</b> - 1245098961
1A		17/07/2018	PF	SD		

These drawings must not be copied or duplicated nor shown to or placed at the disposal of third persons without our written consent.



MAIN BLOCK

**KEY**

<span style="color: red;">■</span>	HW = HOT WATER
<span style="color: orange;">■</span>	HWR = HOT WATER RETURN
<span style="color: green;">■</span>	MCW = MAINS COLD WATER
<span style="color: blue;">■</span>	CCW = CISTERN COLD WATER
<span style="color: black;">■</span>	BW = BLENDED WATER

**EQUIPMENT**

WC	TOILET
WB	WASH HAND BASIN
B	BATH
UC	URINAL CISTERN
ES	ELECTRIC SHOWER
MS	MIXER SHOWER
SK	SINK
BSK	BEFAST SINK
EEW	EMERGENCY EYE WASH
Ems	EMERGENCY SHOWER
DW	DISH WASHER
WM	WASHING MACHINE
SL	SLUICE
DM	DRINKS MACHINE
DWF	DRINKING WATER FOUNTAIN
CWF	CHILLED WF

**EQUIPMENT SYMBOLS**

\* SENTINEL OUTLETS

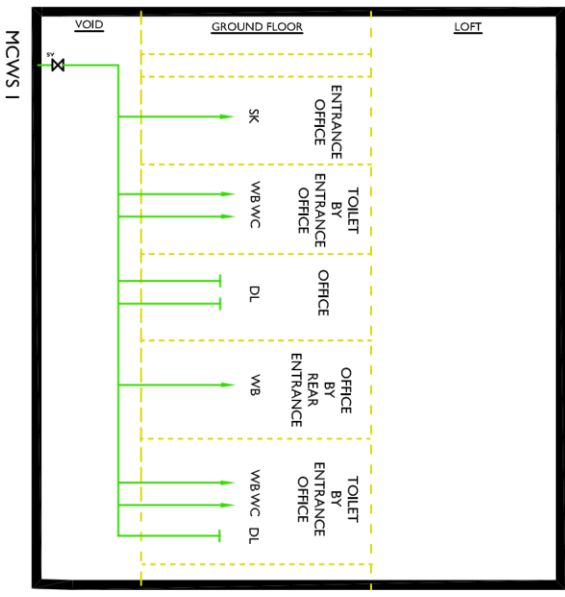
1	LPHWSC	LOW PRESSURE HOT WATER STORAGE CALONNER
2	ESC	ELECTRIC STORAGE CALONNER
3	RGWH	WATER HEATER (COMB)
4	REWH	REMOTE ELECTRIC WATER HEATER
5	IHW	INSTANTANEOUS HOT WATER HEATER
6	HB	HYDROBOL
7	LPHWSC	LOW PRESSURE HOT WATER STORAGE CALONNER
8	ESC	ELECTRIC STORAGE CALONNER

**FITTINGS**

BT	BIB TAP
HR	HOSE REEL
	TEMPERATURE / PRESSURE GAUGE
	PRESSURE GAUGE
	METER
	VALVE
	TIV
	PRV
	PRESSURE RELIEF VALVE
	STRAINER
	PRESSURE VESSEL
	NON RETURN VALVE
	DOUBLE CHECK VALVE
	PUMP
	TUNDISH
	DEAD LEG
	FILTER
	DRAIN / SAMPLE POINT
	PIPE BREAK

**9 - T - TANK**

IMPRESSION HEATER



**KEY**

	HW = HOT WATER
	HWRS = HOT WATER RETURN
	MCW = MAINS COLD WATER
	CCW = CISTERN COLD WATER
	BW = BLENDED WATER

**EQUIPMENT**

WC	TOILET
WB	WASH HAND BASIN
B	BATH
UC	URINAL CISTERN
ES	ELECTRIC SHOWER
MS	MIXER SHOWER
SK	SINK
BSK	BEFAST SINK
EEW	EMERGENCY EYE WASH
Ems	EMERGENCY SHOWER
DW	DISH WASHER
WM	WASHING MACHINE
SL	SLUCE
DM	DRINKS MACHINE
DWF	DRINKING WATER FOUNDRAIN
CWF	CHILLED WF

**EQUIPMENT SYMBOLS**

\* SENTINEL OUTLETS

1	LPHWSC	LOW PRESSURE HOT WATER STORAGE CALONHER
2	ESC	ELECTRIC STORAGE CALONHER
3	RGWH	REPORT GAS WATER HEATER (COBH)
4	REWH	REMOTE ELECTRIC WATER HEATER
5	IHWVH	INSTANTANEOUS HOT WATER HEATER
6	HB	HYDROBOIL
7	LPHWSC	LOW PRESSURE HOT WATER STORAGE CALONHER
8	ESC	ELECTRIC STORAGE CALONHER

**FITTINGS**

	BT	BIB TAP
	HR	HOSE REEL
		TEMPERATURE / PRESSURE GAUGE
		METER
		VALVE
		TMV
		PRV
		PRESSURE RELIEF VALVE
		STRAINER
		PRESSURE VESSEL
		NON RETURN VALVE
		DOUBLE CHECK VALVE
		PUMP
		TUNDISH
		DEAD LEG
		FILTER
		DRAIN / SAMPLE POINT
		PIPE BREAK

REV	DESCRIPTION	DATE	DRAWN	CHKD	APPD
1A		14/08/2019	LR	SD	

These drawings must not be copied or duplicated nor shown to or placed at the disposal of third persons without our written consent.

LEICESCC  
101 NETHERHALL ROAD

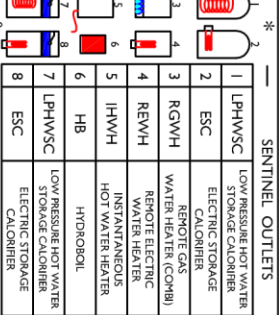
**KEY**

- HW = HOT WATER
- HR = HOT WATER RETURN
- MCW = MAINS COLD WATER
- CCW = CISTERN COLD WATER
- BW = BLENDED WATER

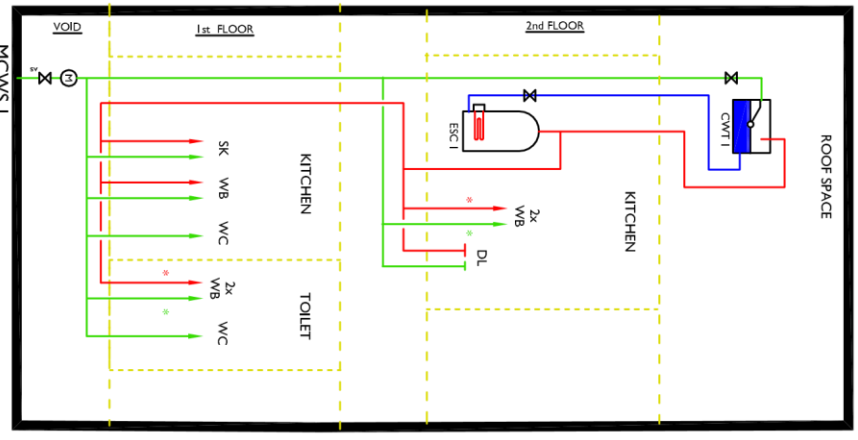
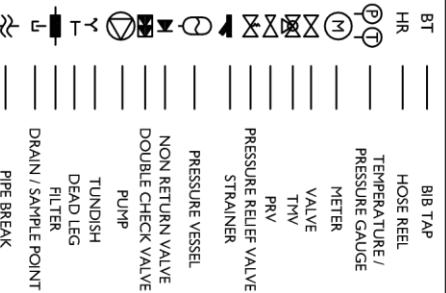
**EQUIPMENT**

- WC TOILET
- WB WASH HAND BASIN
- B BATH
- UC URINAL CISTERN
- ES ELECTRIC SHOWER
- MS MIXER SHOWER
- SK SINK
- BSK BELFAST SINK
- EEW EMERGENCY EYE WASH
- Ems EMERGENCY SHOWER
- DW DISH WASHER
- WM WASHING MACHINE
- SL SLUICE
- DM DRINKS MACHINE
- DWF DRINKING WATER FOUNTAIN
- CWF CHILLED WF

**EQUIPMENT SYMBOLS**



**FITTINGS**



REV	DESCRIPTION	DATE	DRAWN	CHKD	APPD
1A		12/09/2019	SA	SD	

LCC  
17a-17b Cank Street

These drawings must not be copied or duplicated nor shown to or placed at the disposal of third persons without our written consent.

**KEY**

	HW = HOT WATER
	HWB = HOT WATER RETURN
	MCW = MAINS COLD WATER
	CCW = CISTERN COLD WATER
	BW = BLENDED WATER

**EQUIPMENT**

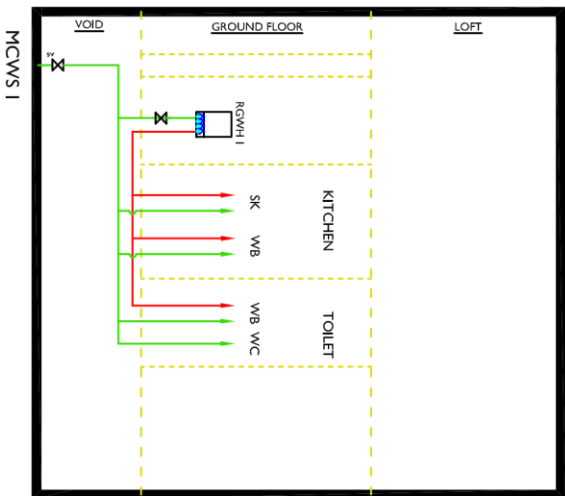
WC	TOILET
WB	WASH HAND BASIN
B	BATH
UC	URINAL CISTERN
ES	ELECTRIC SHOWER
MS	MIXER SHOWER
SK	SINK
BSK	BELEFAST SINK
EEW	EMERGENCY EYE WASH
Ems	EMERGENCY SHOWER
DW	DISH WASHER
WM	WASHING MACHINE
SL	SLUCE
DM	DRINKS MACHINE
DWF	DRINKING WATER FOUNDRAIN
CWF	CHILLED WF

**EQUIPMENT SYMBOLS**

* SENTINEL OUTLETS	
	1 LPHWSC LOW PRESSURE HOT WATER STORAGE CALORIFER
	2 ESC ELECTRIC STORAGE CALORIFER
	3 RGWH REHOTTE GAS WATER HEATER (COMBI)
	4 REWH REHOTTE ELECTRIC WATER HEATER
	5 IHVH INSTANTANEOUS HOT WATER HEATER
	6 HB HYDROBOIL
	7 LPHWSC LOW PRESSURE HOT WATER STORAGE CALORIFER
	8 ESC ELECTRIC STORAGE CALORIFER

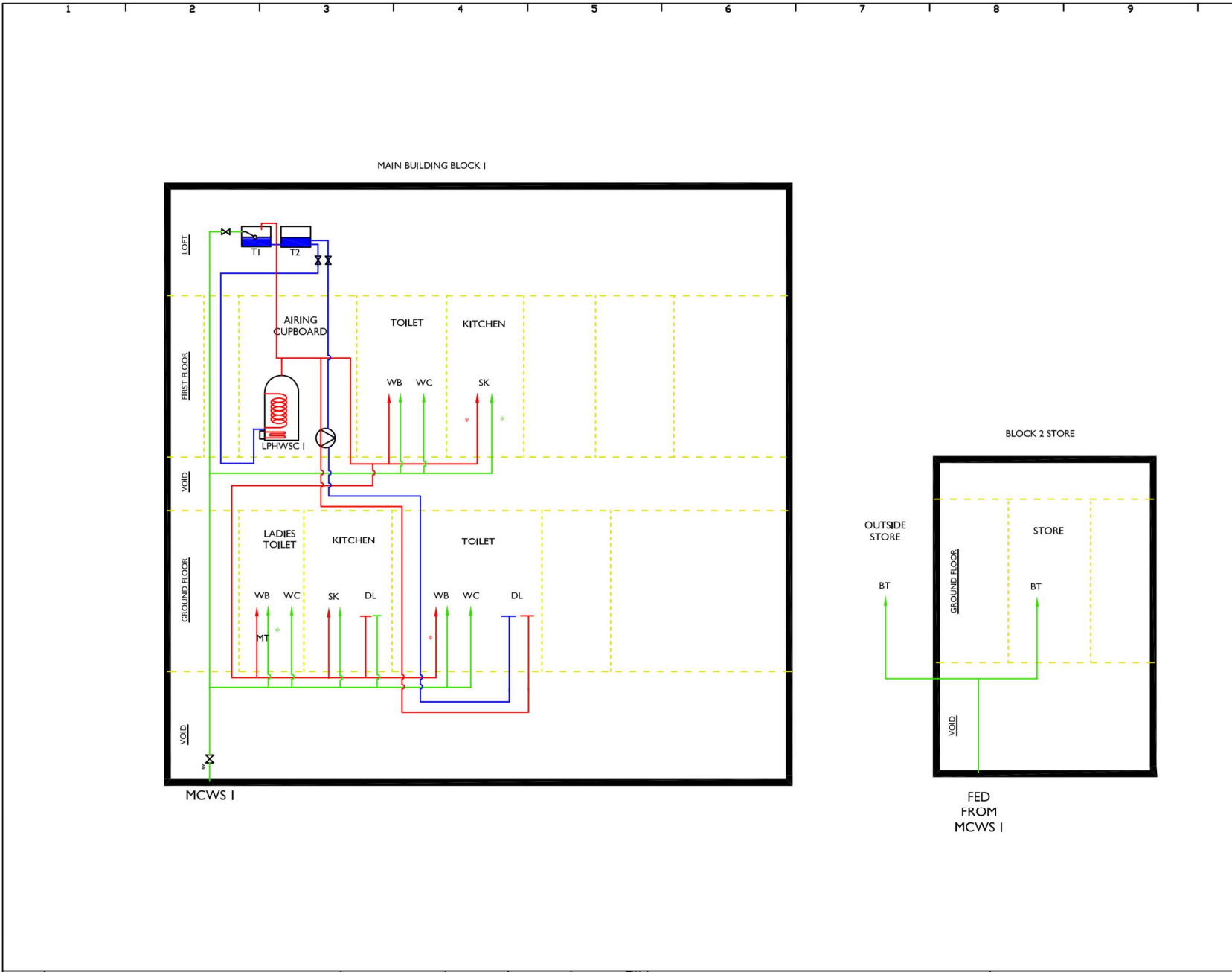
**FITTINGS**

	BT BIB TAP
	HR HOSE REEL
	TEMPERATURE / PRESSURE GAUGE
	METER
	VALVE
	TMV
	PRV
	PRESSURE RELIEF VALVE
	STRAINER
	PRESSURE VESSEL
	NON RETURN VALVE
	DOUBLE CHECK VALVE
	PUMP
	TUNDISH
	DEAD LEG
	FILTER
	DRAIN / SAMPLE POINT
	PIPE BREAK



REV	DESCRIPTION	DATE	DRAWN	CHKD	APPD
1A		14/08/2019	LR	SD	
<p>LEICESCC HOME FARM SQUARE 7</p>					
<p>These drawings must not be copied or duplicated nor shown to or placed at the disposal of third persons without our written consent.</p>					





KEY	
<span style="color: red;">—</span>	HW = HOT WATER
<span style="color: red;">   </span>	HWR = HOT WATER RETURN
<span style="color: green;">—</span>	MCW = MAINS COLD WATER
<span style="color: blue;">—</span>	CCW = CISTERN COLD WATER
<span style="color: black;">—</span>	BW = BLENDED WATER
EQUIPMENT	
WC	TOILET
WB	WASH HAND BASIN
B	BATH
UC	URINAL CISTERN
ES	ELECTRIC SHOWER
MS	MIXER SHOWER
SK	SINK
BSK	BELFAST SINK
EEW	EMERGENCY EYE WASH
EmS	EMERGENCY SHOWER
DW	DISH WASHER
WM	WASHING MACHINE
SL	SLUICE
DM	DRINKS MACHINE
DWF	DRINKING WATER FOUNTAIN
CWF	CHILLED WF
EQUIPMENT SYMBOLS	
SENTINEL OUTLETS	
1	LPHWSC LOW PRESSURE HOT WATER STORAGE CALORIFIER
2	ESC ELECTRIC STORAGE CALORIFIER
3	RGWH REMOTE GAS WATER HEATER (COMBI)
4	REWH REMOTE ELECTRIC WATER HEATER
5	IHWH INSTANTANEOUS HOT WATER HEATER
6	HB HYDROBOIL
7	LPHWSC LOW PRESSURE HOT WATER STORAGE CALORIFIER
8	ESC ELECTRIC STORAGE CALORIFIER
9	T - TANK
	IMMERSION HEATER
FITTINGS	
BT	BIB TAP
HR	HOSE REEL
	TEMPERATURE / PRESSURE GAUGE
	METER
	VALVE
	TMV
	PRV
	PRESSURE RELIEF VALVE
	STRAINER
	PRESSURE VESSEL
	NON RETURN VALVE
	DOUBLE CHECK VALVE
	PUMP
	TUNDISH
	DEAD LEG
	FILTER
	DRAIN / SAMPLE POINT
	PIPE BREAK

1A	14/08/2019	SA	SD	
REV	DESCRIPTION	DATE	DRAWN	CHKD

LEICESCC  
 - 7 Cantrell Road

These drawings must not be copied or duplicated nor shown to or placed at the disposal of third persons without our written consent.

